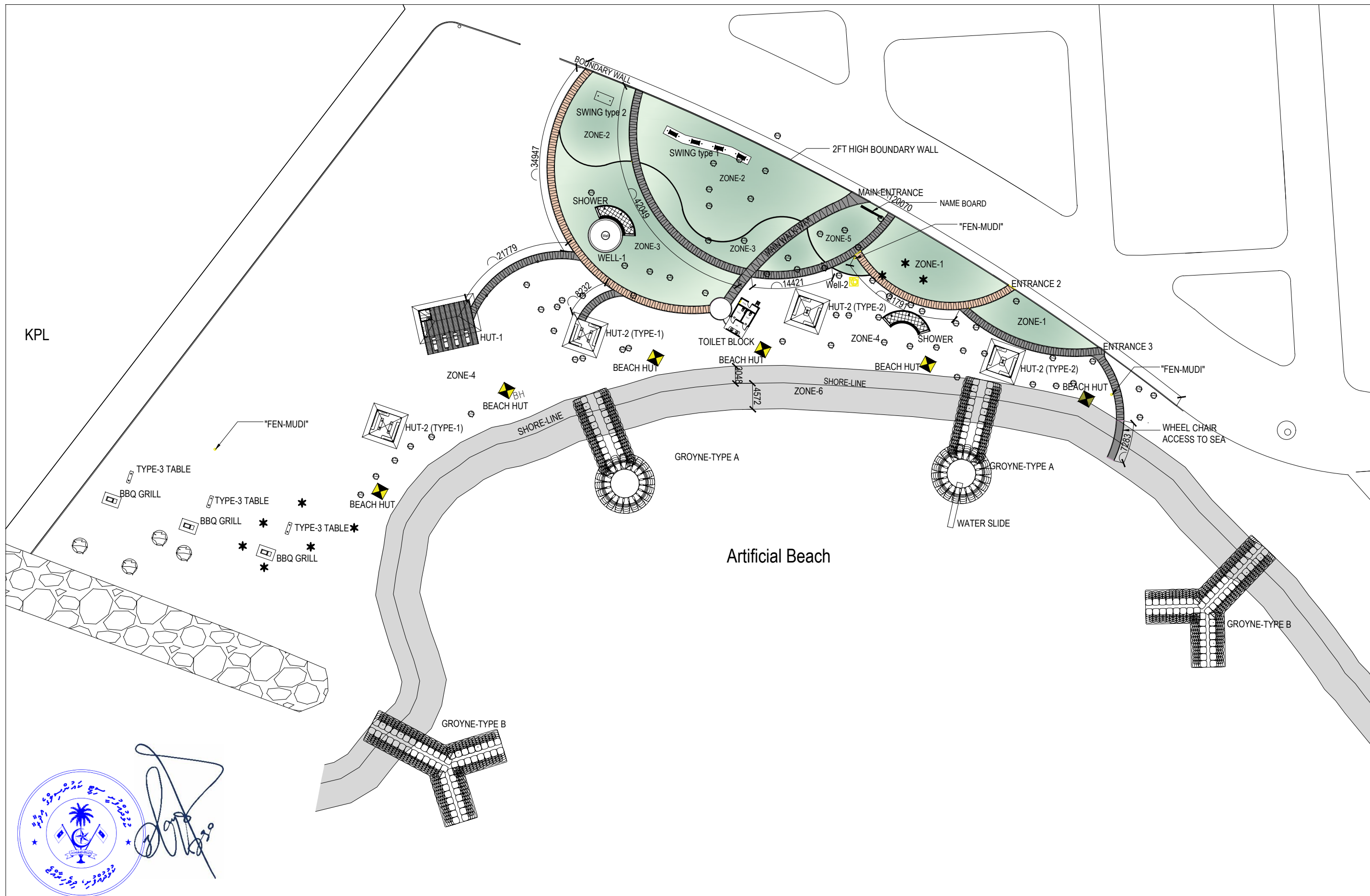


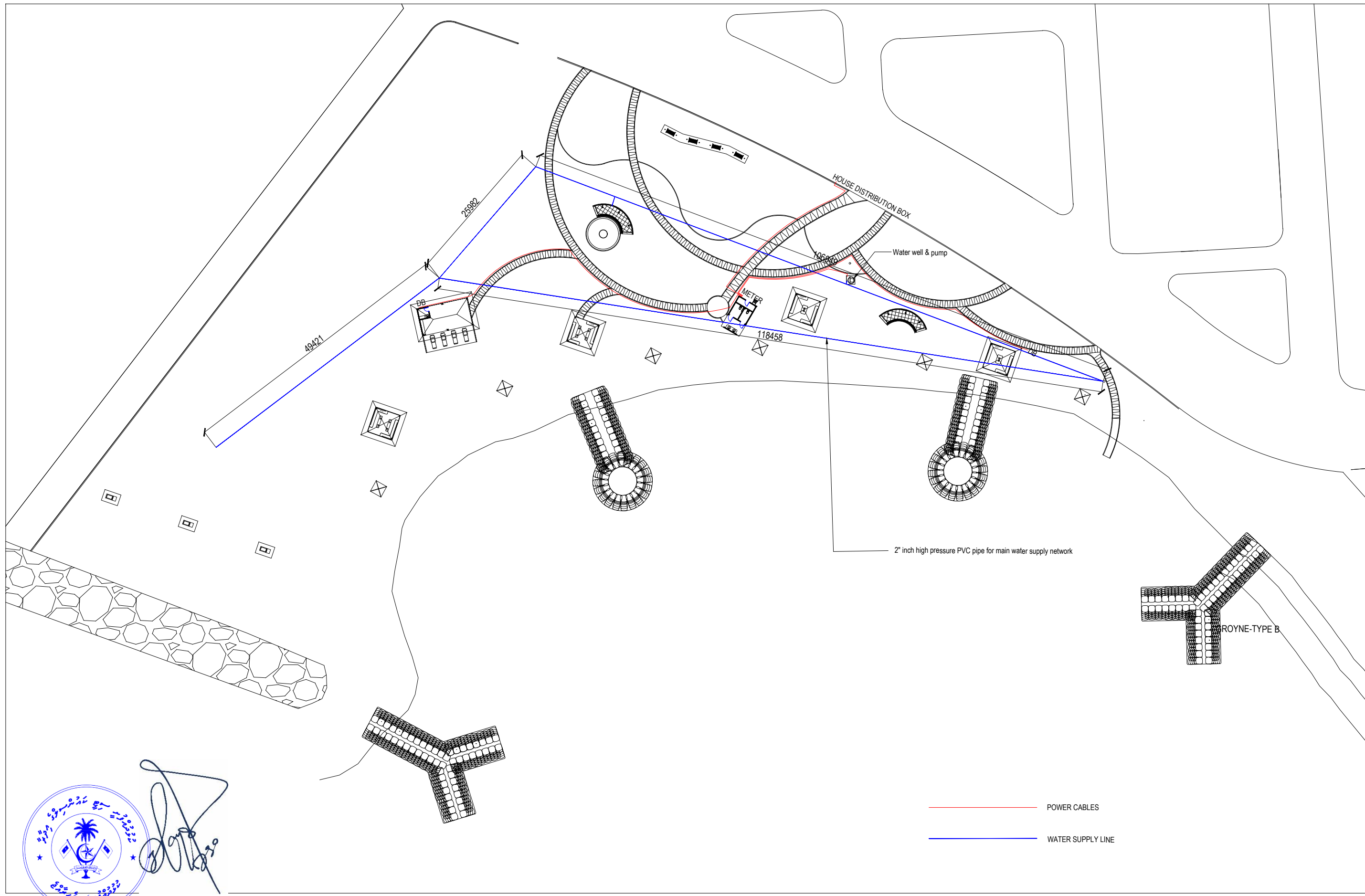
# BOAZIYAARAIY BEACH DEVELOPMENT

TENDER DRAWINGS

24-11-2024

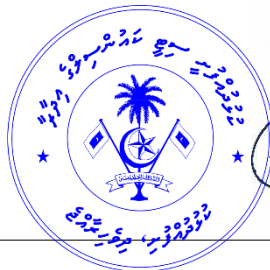
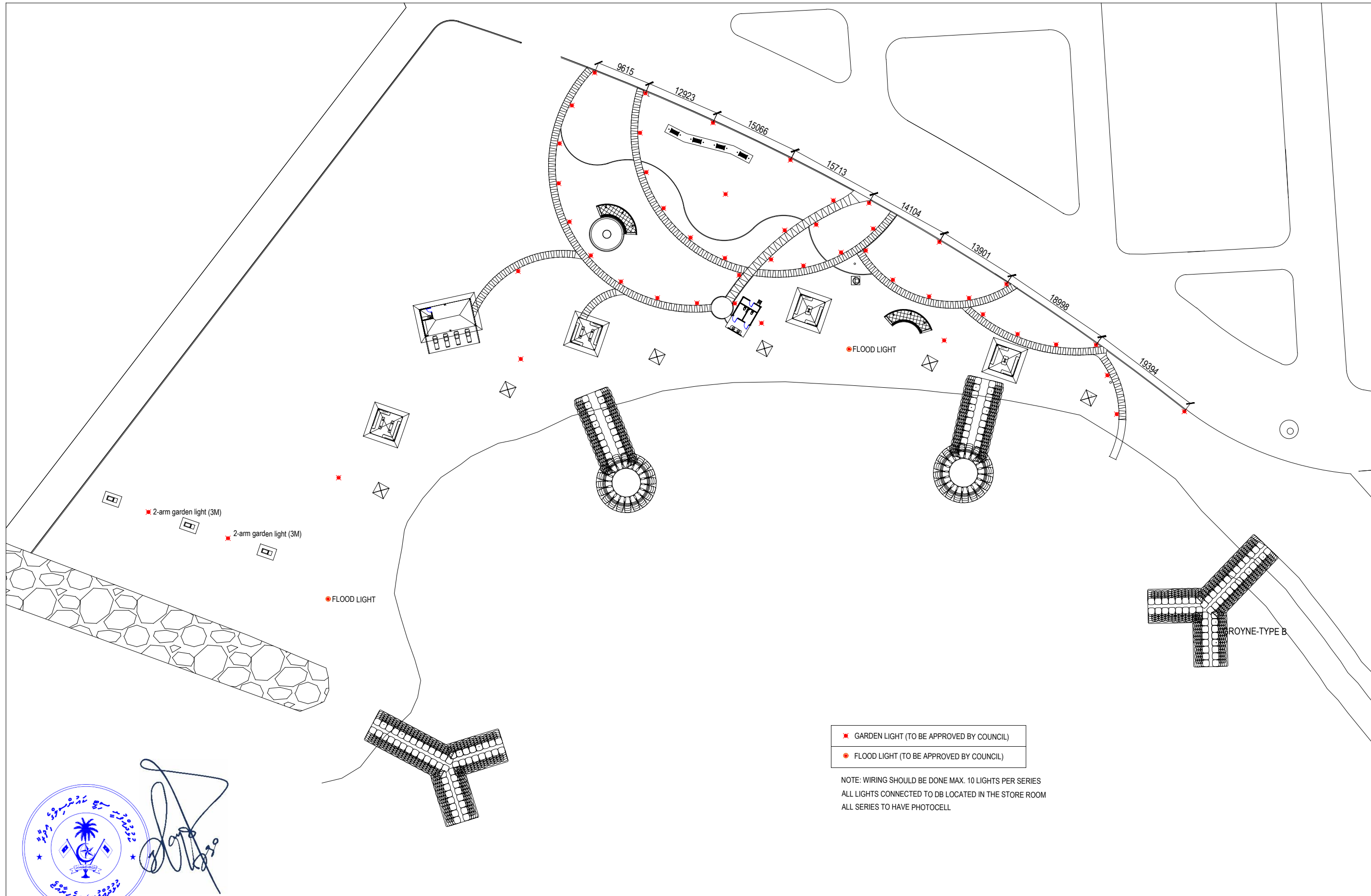


<p>SECRETARIAT OF THE KULHUDHUFFUSHI CITY COUNCIL          AMEENEE MAGU, KULHUDHUFFUSHI CITY, 02110, REP. OF MALDIVES          TEL: 1621 EMAIL: info@kulhudhuffushicity.gov.mv</p>	<p><b>SHEET TITLE:</b>          BEACH LAYOUT</p>	<p><b>PROJECT:</b>          BOAZIYAARAIY BEACH DEVELOPMENT</p>	<p><b>DRAWN BY:</b>          ADAM MOHAMED</p> <p><b>CHECKED BY:</b>          IMRAN AHMED</p>	<p><b>DATE:</b> 26 OCTOBER 2024</p> <p><b>SCALE:</b> AS GIVEN</p>	<p><b>PAGE NO:</b>  <b>A1</b></p>
--	--	--	--	---	---------------------------------------



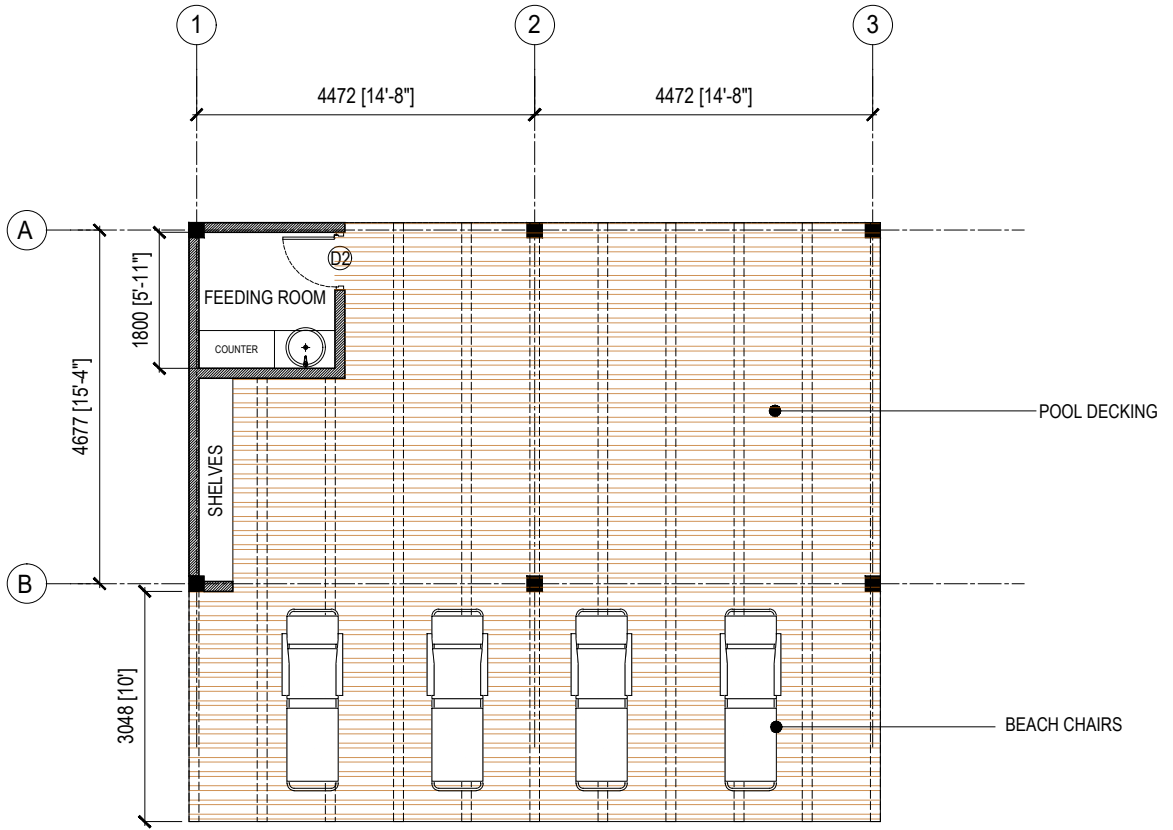
*[Handwritten signature]*

<p>SECRETARIAT OF THE KULHUDHUFFUSHI CITY COUNCIL          AMEENEE MAGU, KULHUDHUFFUSHI CITY, 02110, REP. OF MALDIVES          TEL: 1621 EMAIL: info@kulhudhuffushicity.gov.mv</p>	<p><b>SHEET TITLE:</b>          POWER LAYOUT          PLUMBING LAYOUT</p>	<p><b>PROJECT:</b>          BOAZIYAARAI BEACH DEVELOPMENT</p>	<p><b>DRAWN BY:</b>          ADAM MOHAMED</p> <p><b>CHECKED BY:</b>          IMRAN AHMED</p>	<p><b>DATE:</b> 26 OCTOBER 2024</p> <p><b>SCALE:</b> AS GIVEN</p>	<p><b>PAGE NO:</b>  <b>A2</b></p>
--	---	---	--	---	---------------------------------------



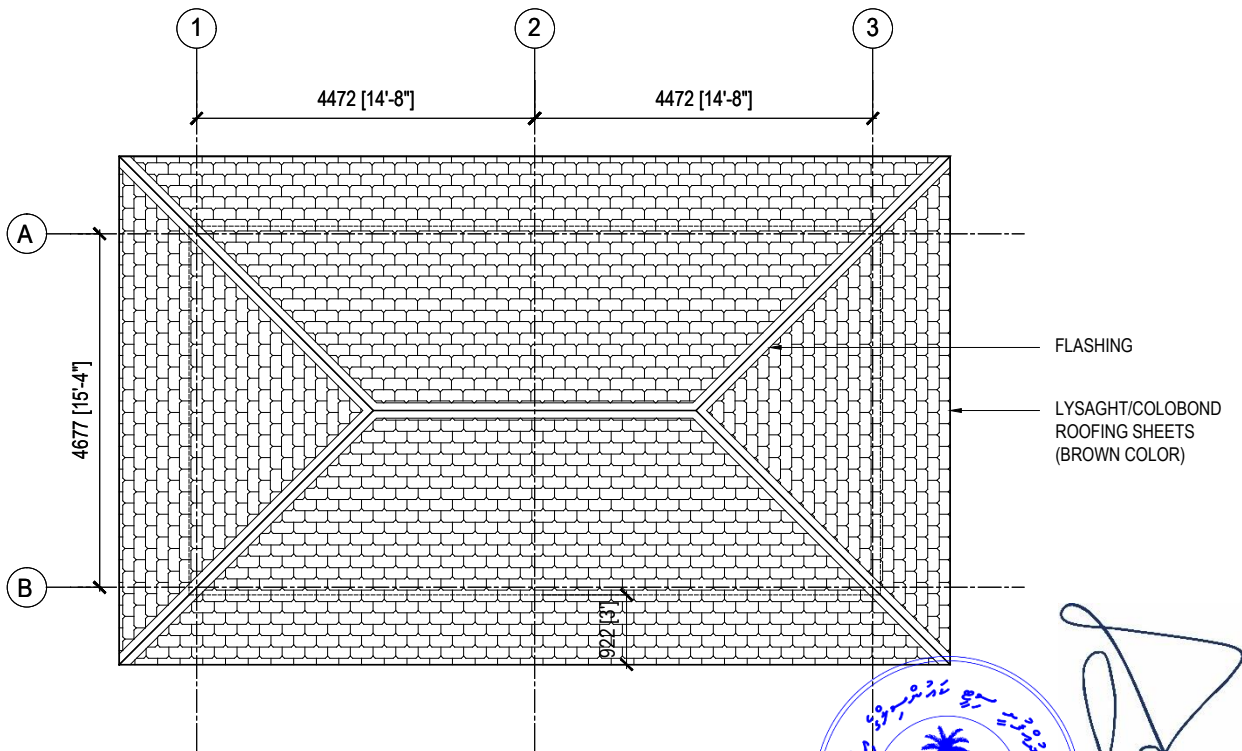
*Handwritten signature in blue ink.*

<p>SECRETARIAT OF THE KULHUDHUFFUSHI CITY COUNCIL          AMEENEE MAGU, KULHUDHUFFUSHI CITY, 02110, REP. OF MALDIVES          TEL: 1621 EMAIL: info@kulhudhuffushicity.gov.mv</p>	<p><b>SHEET TITLE:</b>          GARDEN LIGHTING PLAN</p>	<p><b>PROJECT:</b>          BOAZIYAARAI BEACH DEVELOPMENT</p>	<p><b>DRAWN BY:</b>          ADAM MOHAMED</p> <p><b>CHECKED BY:</b>          IMRAN AHMED</p>	<p><b>DATE:</b> 26 OCTOBER 2024</p> <p><b>SCALE:</b> AS GIVEN</p>	<p><b>PAGE NO:</b>  <b>A3</b></p>
--	--	---	--	---	---------------------------------------

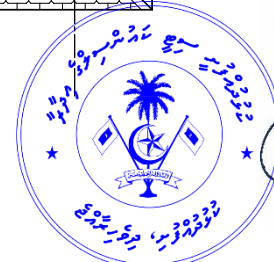


**GROUND FLOOR PLAN**  
SCALE 1:100

NOTE: 100MM SOLID BLOCK WALL  
12MM PLASTERING ON BOTH SIDES

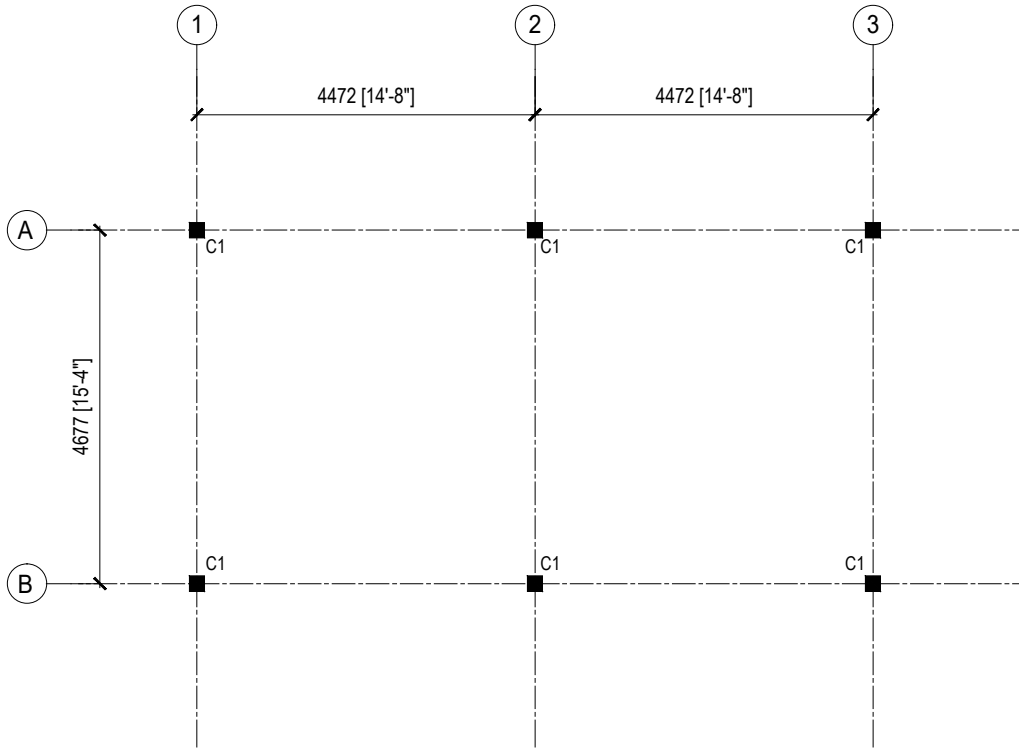


**ROOF PLAN**  
SCALE 1:100

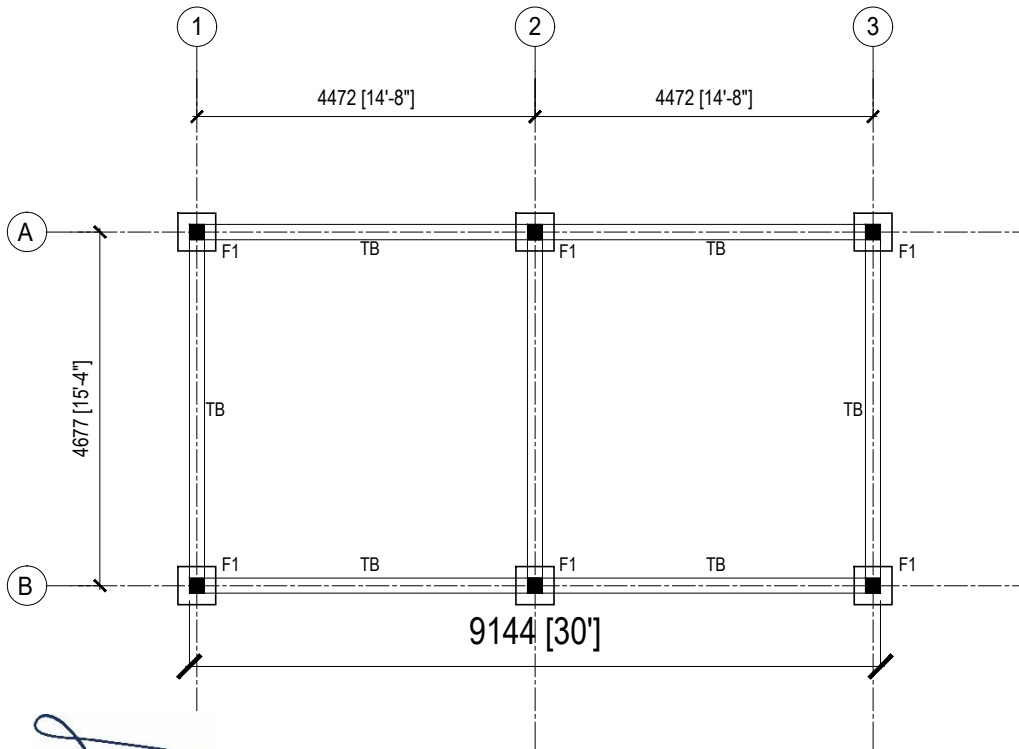


*(Handwritten signature)*

SECRETARIAT OF THE KULHUDHUFFUSHI CITY COUNCIL AMEENEE MAGU, KULHUDHUFFUSHI CITY, 02110, REP. OF MALDIVES TEL: 1621 EMAIL: info@kulhudhuffushicity.gov.mv	<b>SHEET TITLE:</b> HUT-1 DRAWINGS	<b>PROJECT:</b> BOAZIYAARAIY BEACH DEVELOPMENT	<b>DRAWN BY:</b> ADAM MOHAMED  <b>CHECKED BY:</b> IMRAN AHMED	<b>DATE:</b> 26 OCTOBER 2024  <b>SCALE:</b> AS GIVEN	<b>PAGE NO:</b> <b>01</b>
---	---------------------------------------	---	---	--	------------------------------



**COLUMN LOCATION PLAN**  
SCALE 1:100

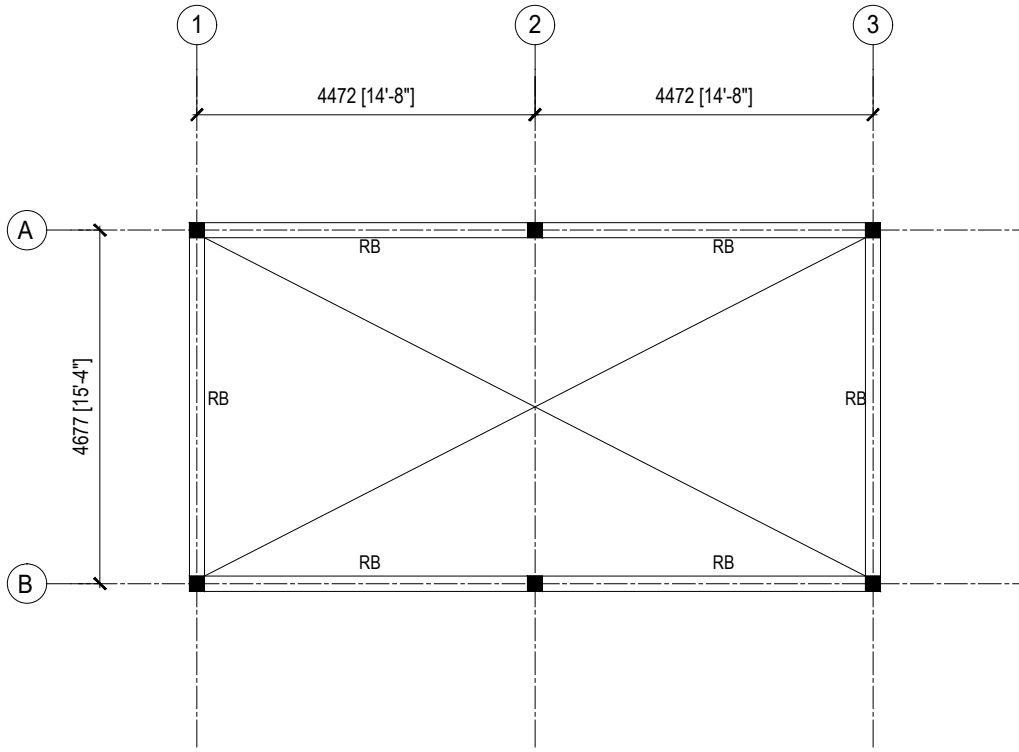


F1-500MMX500MMX200MM [T10@150C/C BW BOTTOM]  
FOUNDATION DEPTH=600MM FROM NGL

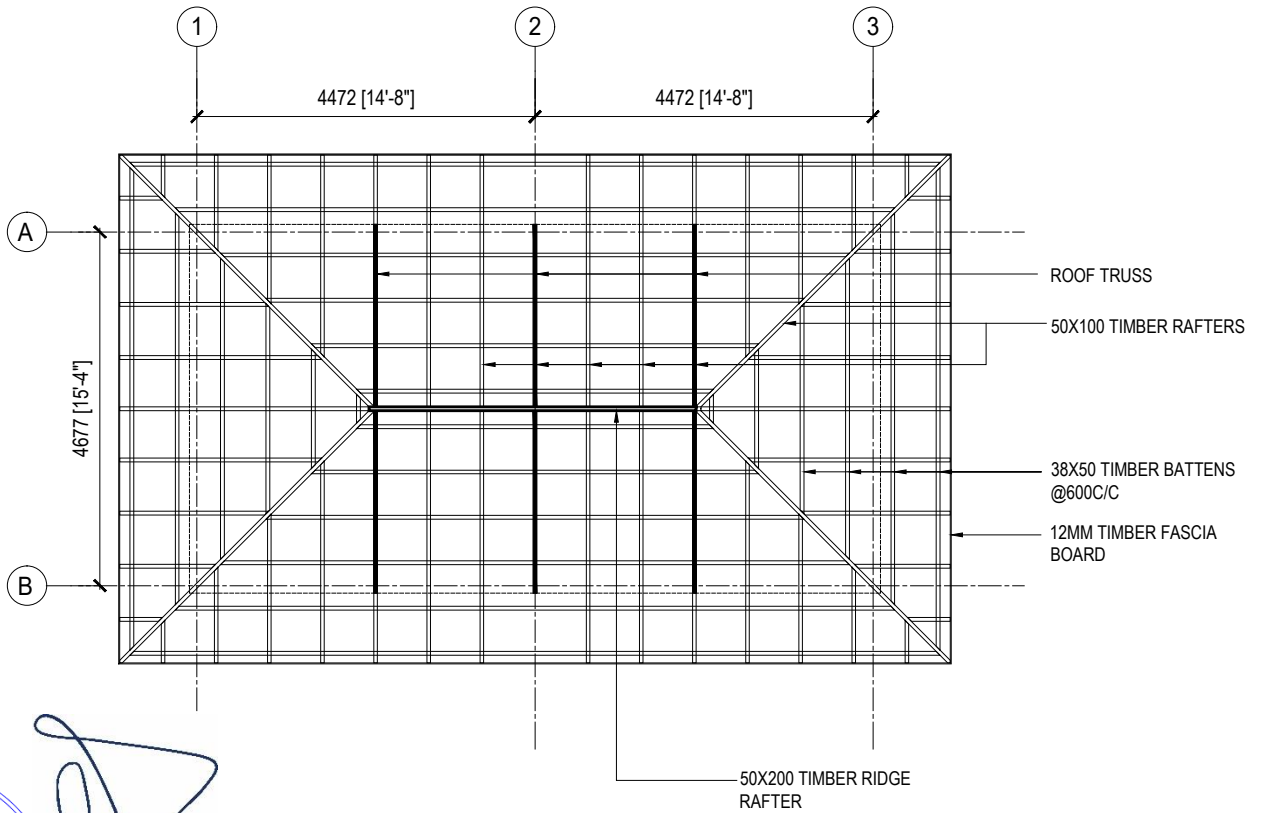
**FOUNDATION PLAN**  
SCALE 1:100



SECRETARIAT OF THE KULHUDHUFFUSHI CITY COUNCIL AMEENEE MAGU, KULHUDHUFFUSHI CITY, 02110, REP. OF MALDIVES TEL: 1621 EMAIL: info@kulhudhuffushicity.gov.mv	<b>SHEET TITLE:</b> HUT-1 DRAWINGS	<b>PROJECT:</b> BOAZIYAARAIY BEACH DEVELOPMENT	<b>DRAWN BY:</b> ADAM MOHAMED  <b>CHECKED BY:</b> IMRAN AHMED	<b>DATE:</b> 26 OCTOBER 2024  <b>SCALE:</b> AS GIVEN	<b>PAGE NO:</b> <b>02</b>
---	---------------------------------------	---	---	--	------------------------------



**ROOF BEAM PLAN**  
SCALE 1:100

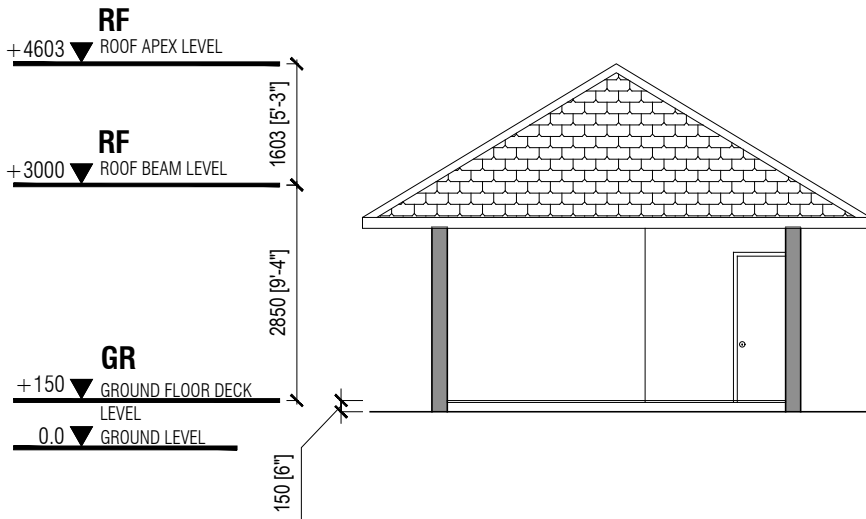


**OF FRAMING PLAN**  
SCALE 1:100

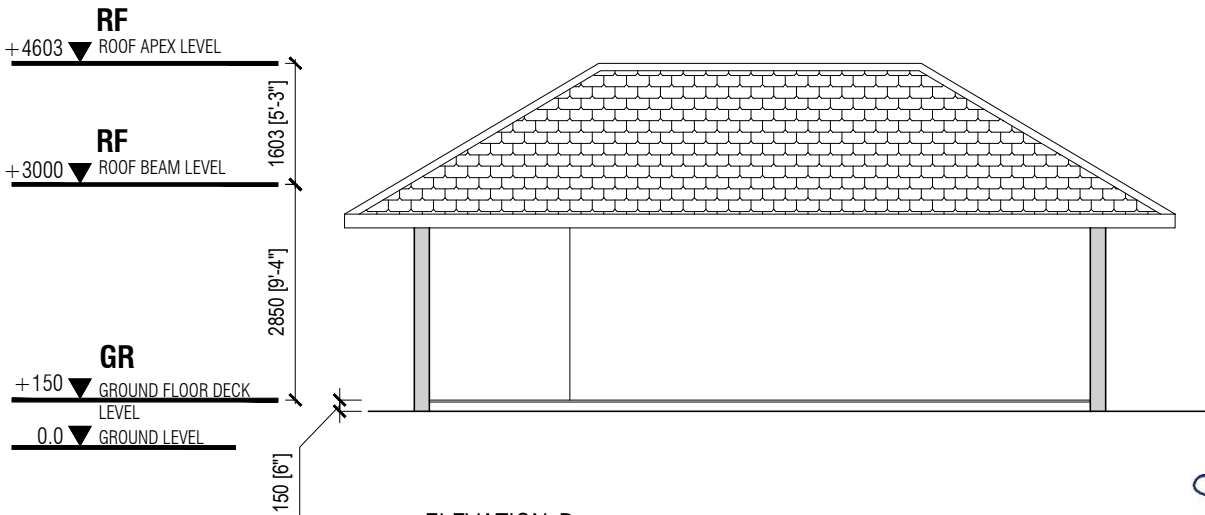


*[Handwritten signature]*

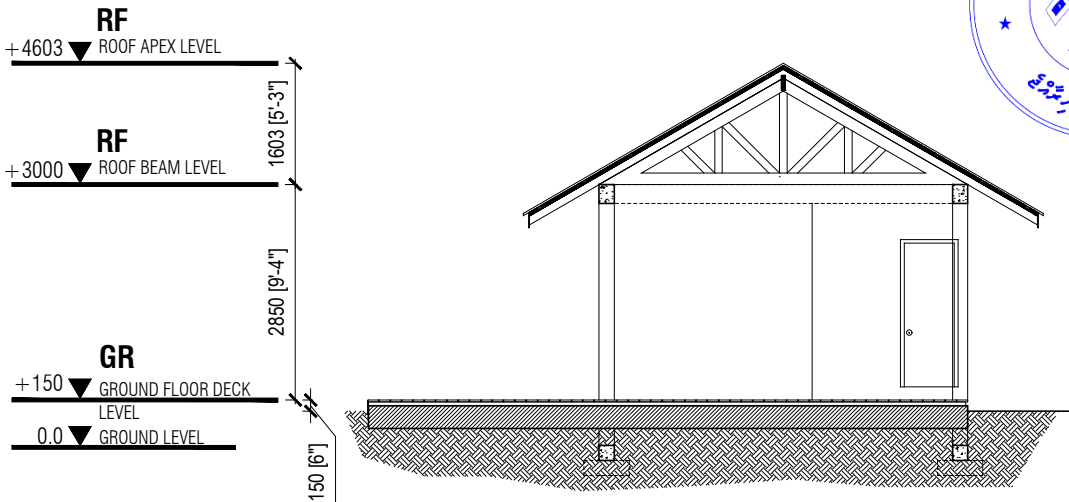
SECRETARIAT OF THE KULHUDHUFFUSHI CITY COUNCIL AMEENEE MAGU, KULHUDHUFFUSHI CITY, 02110, REP. OF MALDIVES TEL: 1621 EMAIL: info@kulhudhuffushicity.gov.mv	<b>SHEET TITLE:</b> HUT-1 DRAWINGS	<b>PROJECT:</b> BOAZIYAARAIY BEACH DEVELOPMENT	<b>DRAWN BY:</b> ADAM MOHAMED  <b>CHECKED BY:</b> IMRAN AHMED	<b>DATE:</b> 26 OCTOBER 2024  <b>SCALE:</b> AS GIVEN	<b>PAGE NO:</b>  <b>03</b>
---	---------------------------------------	---	---	--	----------------------------------



**ELEVATION-A**  
SCALE 1:100



**ELEVATION-B**  
SCALE 1:100

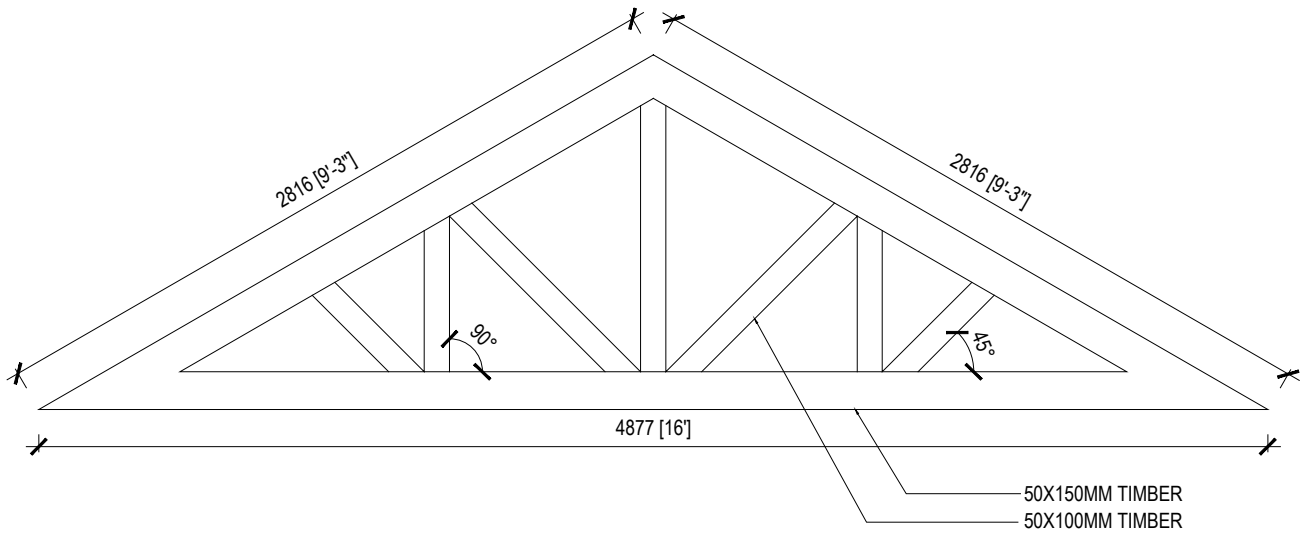


**SECTION-X**  
SCALE 1:100

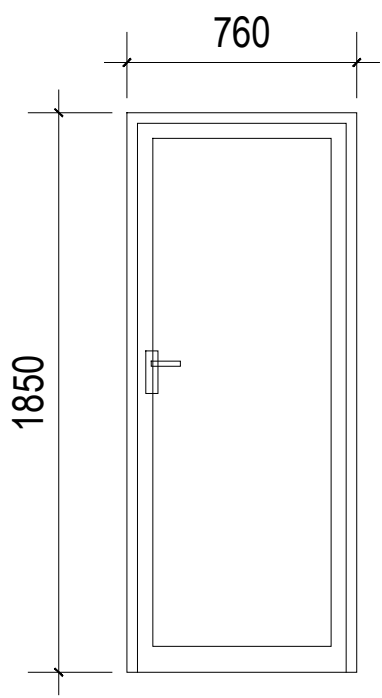


SECRETARIAT OF THE KULHUDHUFFUSHI CITY COUNCIL AMEENEE MAGU, KULHUDHUFFUSHI CITY, 02110, REP. OF MALDIVES TEL: 1621 EMAIL: info@kulhudhuffushicity.gov.mv	<b>SHEET TITLE:</b> HUT-1 DRAWINGS	<b>PROJECT:</b> BOAZIYAARAIY BEACH DEVELOPMENT	<b>DRAWN BY:</b> ADAM MOHAMED  <b>CHECKED BY:</b> IMRAN AHMED	<b>DATE:</b> 26 OCTOBER 2024  <b>SCALE:</b> AS GIVEN	<b>PAGE NO:</b> <b>04</b>
---	---------------------------------------	---	---	--	------------------------------



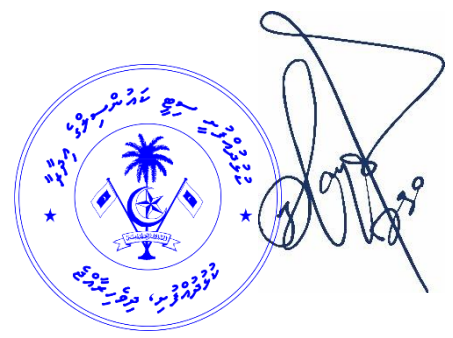


**ROOF TRUSS DETAIL**  
SCALE 1:30

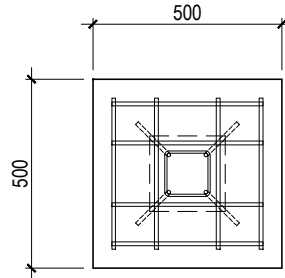
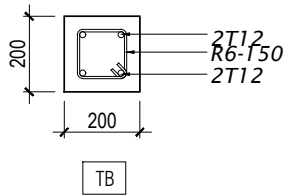
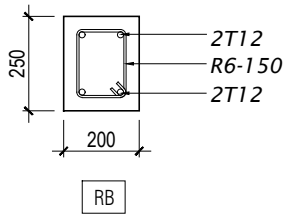


**ALUMINIUM FRAMED OPENABLE DOOR**  
(ALUMINUM PANEL SHEETS)

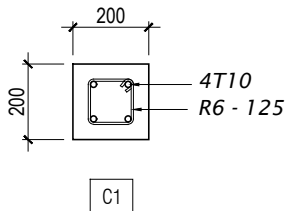
**DOOR DETAIL**  
SCALE 1:30



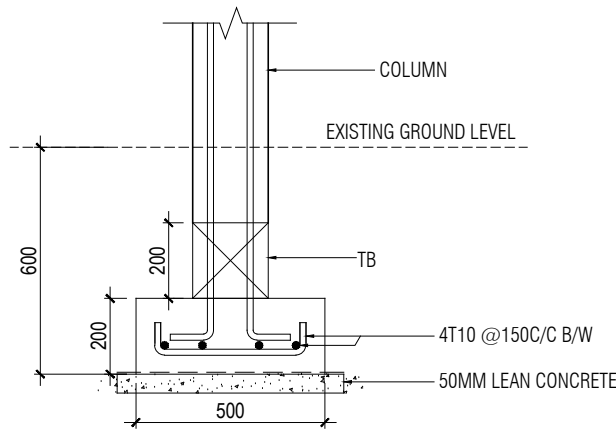
SECRETARIAT OF THE KULHUDHUFFUSHI CITY COUNCIL AMEENEE MAGU, KULHUDHUFFUSHI CITY, 02110, REP. OF MALDIVES TEL: 1621 EMAIL: info@kulhudhuffushicity.gov.mv	<b>SHEET TITLE:</b> HUT-1 DRAWINGS	<b>PROJECT:</b> BOAZIYAARAIY BEACH DEVELOPMENT	<b>DRAWN BY:</b> ADAM MOHAMED  <b>CHECKED BY:</b> IMRAN AHMED	<b>DATE:</b> 26 OCTOBER 2024  <b>SCALE:</b> AS GIVEN	<b>PAGE NO:</b> <b>05</b>
---	---------------------------------------	---	---	--	------------------------------



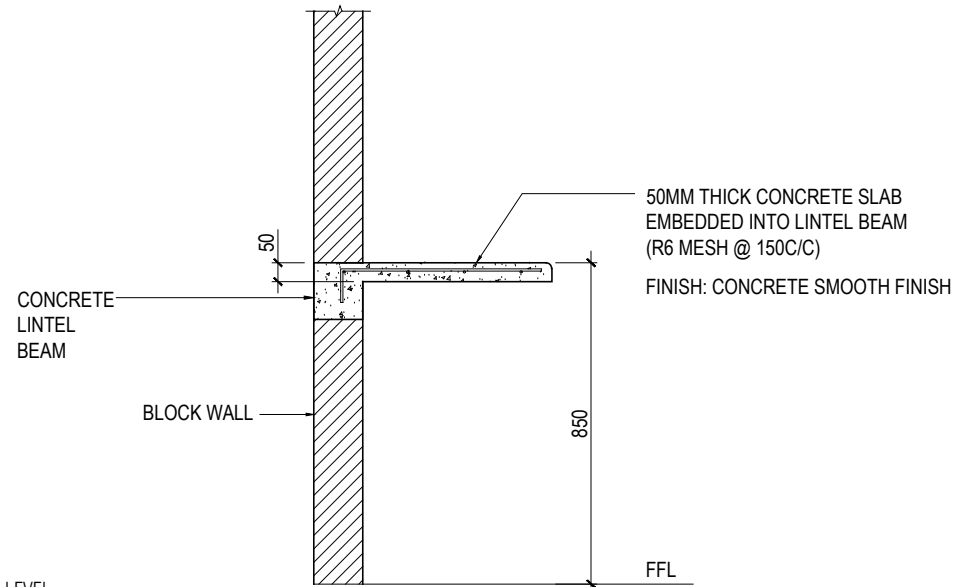
**BEAM DETAILS**  
SCALE 1:20



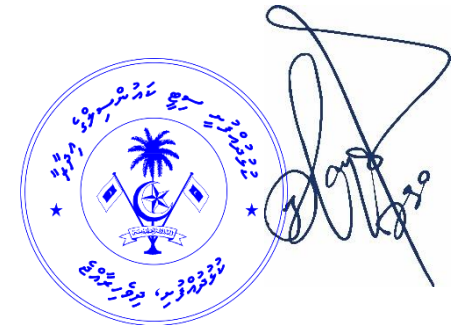
**COLUMN DETAILS**  
SCALE 1:20



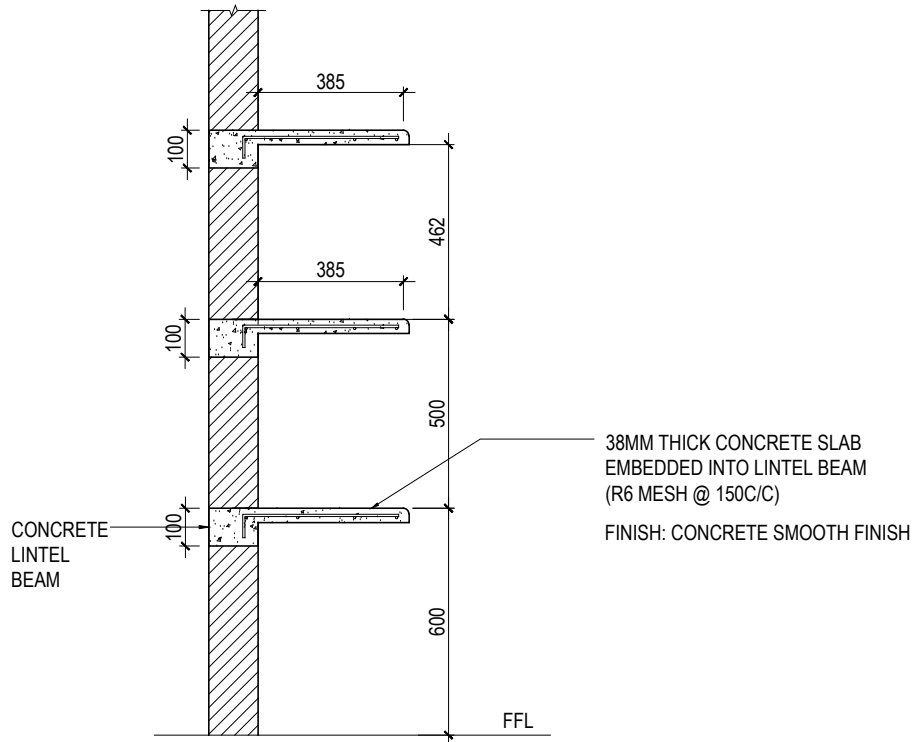
**FOUNDATION PAD DETAIL**  
SCALE 1:20



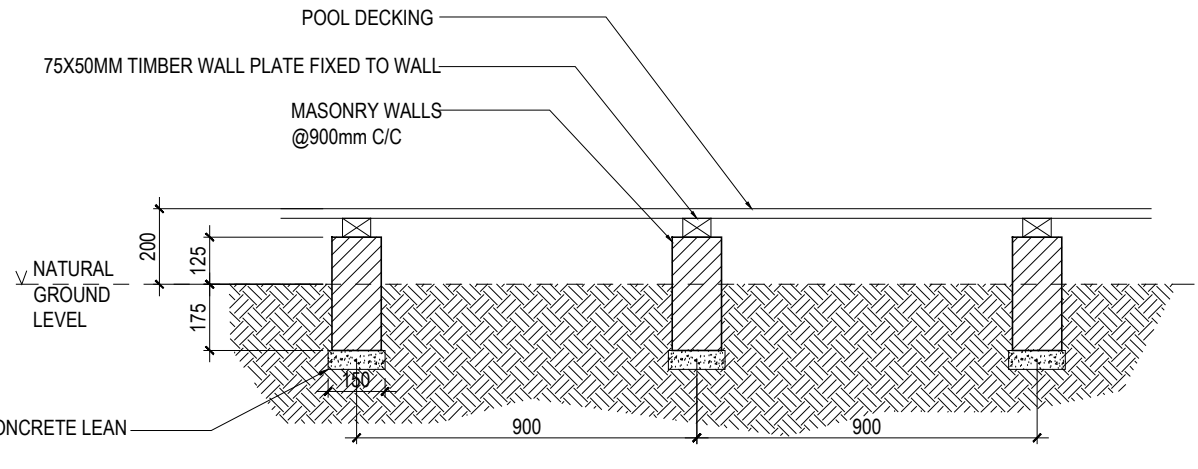
**FEEDING TABLE DETAIL**  
SCALE 1:20



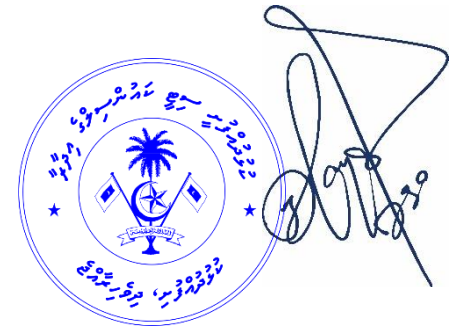
<p>SECRETARIAT OF THE KULHUDHUFFUSHI CITY COUNCIL AMEENE MAGU, KULHUDHUFFUSHI CITY, 02110, REP. OF MALDIVES TEL: 1621 EMAIL: info@kulhudhuffushicity.gov.mv</p>	<p><b>SHEET TITLE:</b> HUT-1 DRAWINGS</p>	<p><b>PROJECT:</b> BOAZIYAARAIY BEACH DEVELOPMENT</p>	<p><b>DRAWN BY:</b> ADAM MOHAMED</p> <p><b>CHECKED BY:</b> IMRAN AHMED</p>	<p><b>DATE:</b> 26 OCTOBER 2024</p> <p><b>SCALE:</b> AS GIVEN</p>	<p><b>PAGE NO:</b> <b>06</b></p>
---	---	---	--	---	--------------------------------------



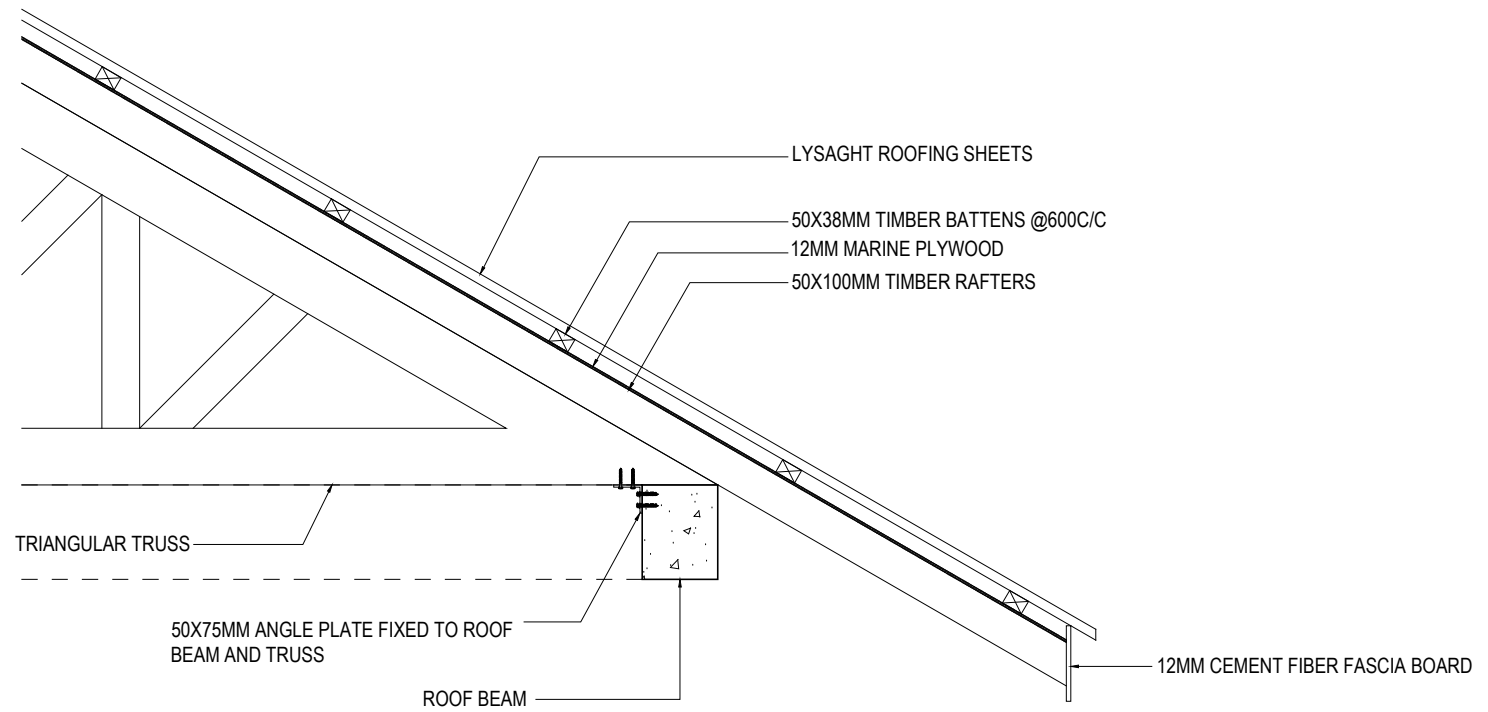
**SHELF DETAIL**  
SCALE 1:20



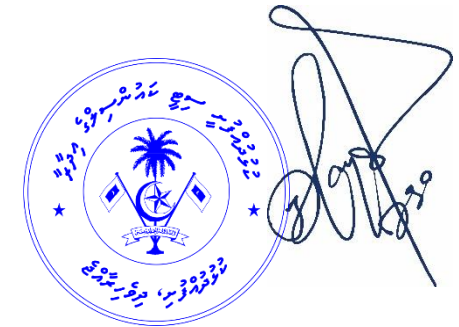
**POOL DECK DETAIL**  
SCALE 1:20



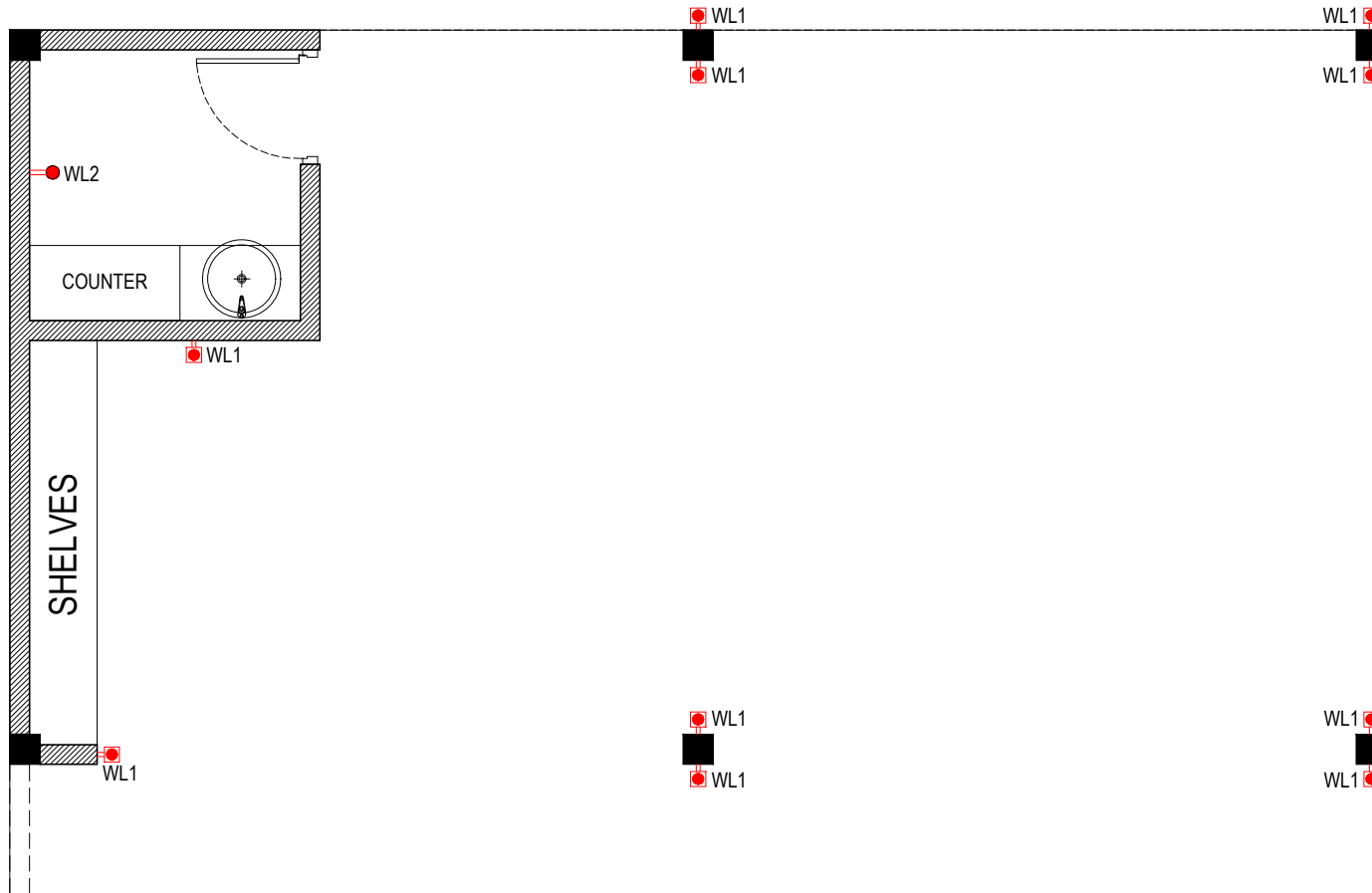
<p>SECRETARIAT OF THE KULHUDHUFFUSHI CITY COUNCIL AMEENE MAGU, KULHUDHUFFUSHI CITY, 02110, REP. OF MALDIVES TEL: 1621 EMAIL: info@kulhudhuffushicity.gov.mv</p>	<p><b>SHEET TITLE:</b> HUT-1 DRAWINGS</p>	<p><b>PROJECT:</b> BOAZIYAARAIY BEACH DEVELOPMENT</p>	<p><b>DRAWN BY:</b> ADAM MOHAMED</p> <p><b>CHECKED BY:</b> IMRAN AHMED</p>	<p><b>DATE:</b> 26 OCTOBER 2024</p> <p><b>SCALE:</b> AS GIVEN</p>	<p><b>PAGE NO:</b> <b>07</b></p>
---	---	---	--	---	--------------------------------------





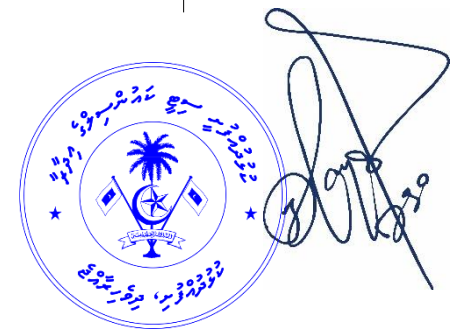
**ROOF DETAIL**  
 SCALE 1:20



SECRETARIAT OF THE KULHUDHUFFUSHI CITY COUNCIL AMEENEE MAGU, KULHUDHUFFUSHI CITY, 02110, REP. OF MALDIVES TEL: 1621 EMAIL: info@kulhudhuffushicity.gov.mv	<b>SHEET TITLE:</b> HUT-1 DRAWINGS	<b>PROJECT:</b> BOAZIYAARAIY BEACH DEVELOPMENT	<b>DRAWN BY:</b> ADAM MOHAMED <b>CHECKED BY:</b> IMRAN AHMED	<b>DATE:</b> 26 OCTOBER 2024 <b>SCALE:</b> AS GIVEN	<b>PAGE NO:</b> <b>08</b>
---	---------------------------------------	---	---	--	------------------------------

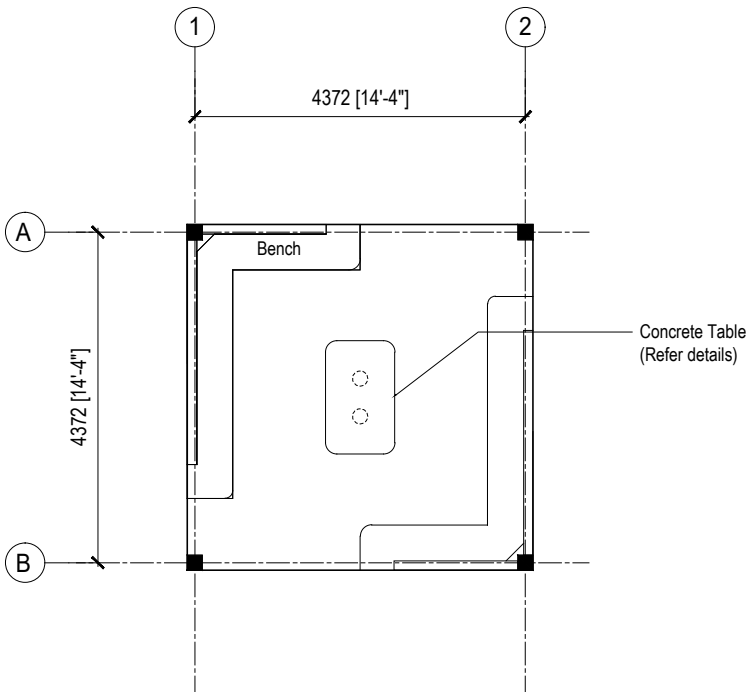


SYMBOL	DESCRIPTION
 WL1	WALL MOUNT UP-DOWN LIGHT (WARM) (TO BE APPROVED BY COUNCIL)
 WL2	WALL MOUNT LIGHT (WARM) (TO BE APPROVED BY COUNCIL)

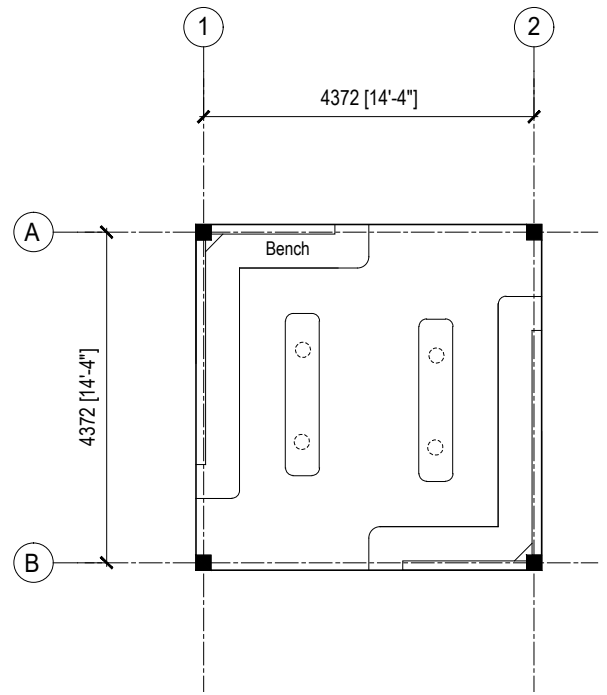


**ELECTRICAL PLAN**  
SCALE 1:50

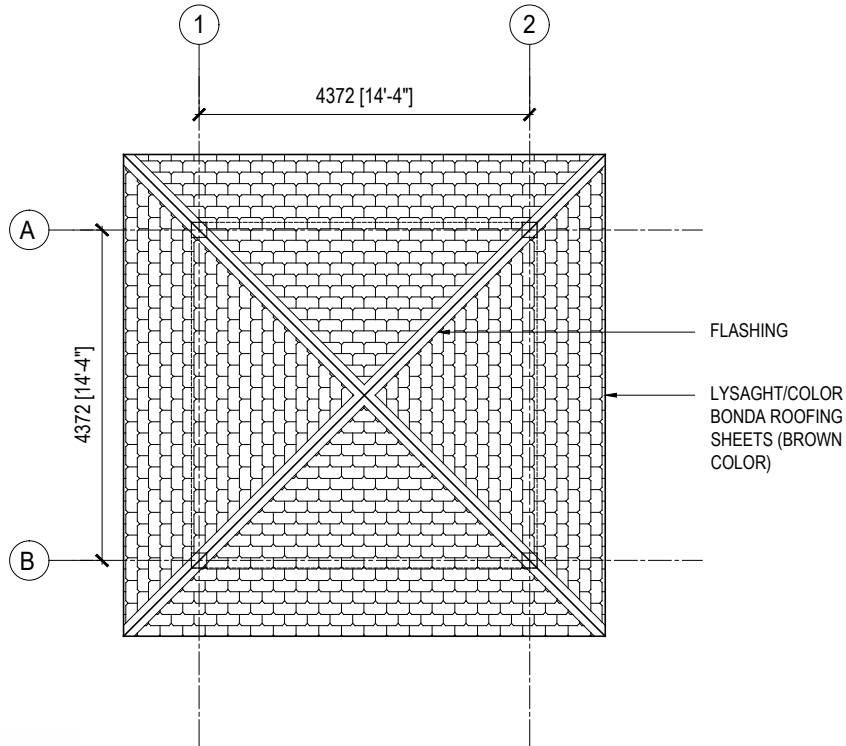
SECRETARIAT OF THE KULHUDHUFFUSHI CITY COUNCIL AMEENEE MAGU, KULHUDHUFFUSHI CITY, 02110, REP. OF MALDIVES TEL: 1621 EMAIL: info@kulhudhuffushicity.gov.mv	SHEET TITLE: HUT-1 DRAWINGS	PROJECT: BOAZIYAARAIY BEACH DEVELOPMENT	DRAWN BY: ADAM MOHAMED	DATE: 26 OCTOBER 2024	PAGE NO: <b>09</b>
			CHECKED BY: IMRAN AHMED	SCALE: AS GIVEN	



**GROUND FLOOR PLAN (TYPE-1)**  
SCALE 1:100



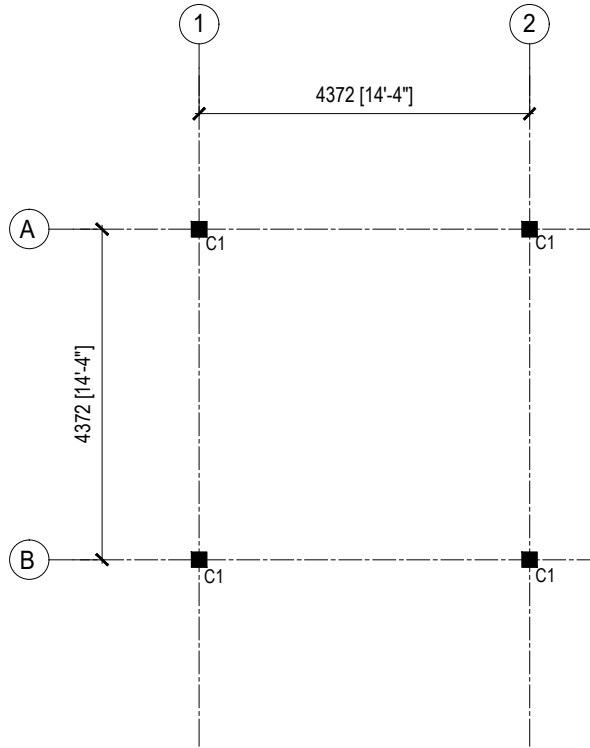
**GROUND FLOOR PLAN (TYPE-2)**  
SCALE 1:100



**ROOF PLAN**  
SCALE 1:100

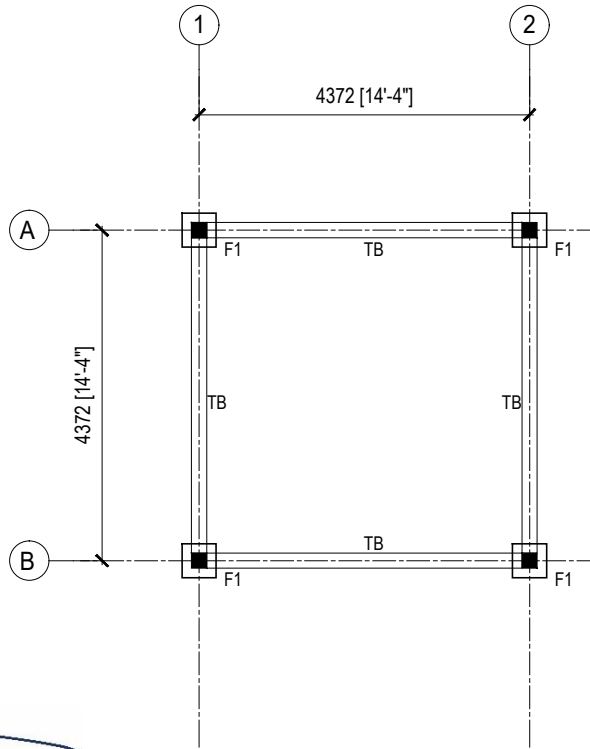


<p>SECRETARIAT OF THE KULHUDHUFFUSHI CITY COUNCIL AMEENEE MAGU, KULHUDHUFFUSHI CITY, 02110, REP. OF MALDIVES TEL: 1621 EMAIL: info@kulhudhuffushicity.gov.mv</p>	<p><b>SHEET TITLE:</b> HUT-2 DRAWINGS</p>	<p><b>PROJECT:</b> BOAZIYAARAIY BEACH DEVELOPMENT</p>	<p><b>DRAWN BY:</b> ADAM MOHAMED</p> <p><b>CHECKED BY:</b> IMRAN AHMED</p>	<p><b>DATE:</b> 26 OCTOBER 2024</p> <p><b>SCALE:</b> AS GIVEN</p>	<p><b>PAGE NO:</b> <b>10</b></p>
--	---	---	--	---	--------------------------------------



**COLUMN LOCATION PLAN**

SCALE 1:100



**FOUNDATION PLAN**

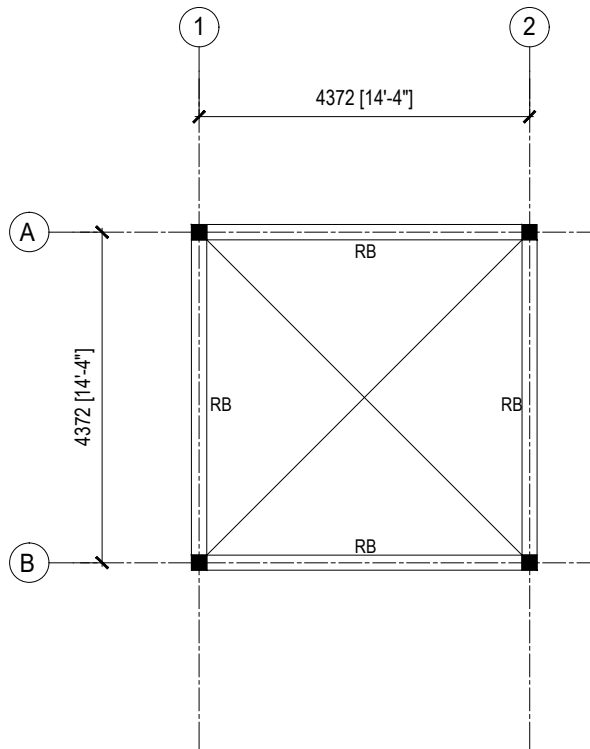
SCALE 1:100

F1-450MMX450MMX200MM [T10@150C/C BW BOTTOM]

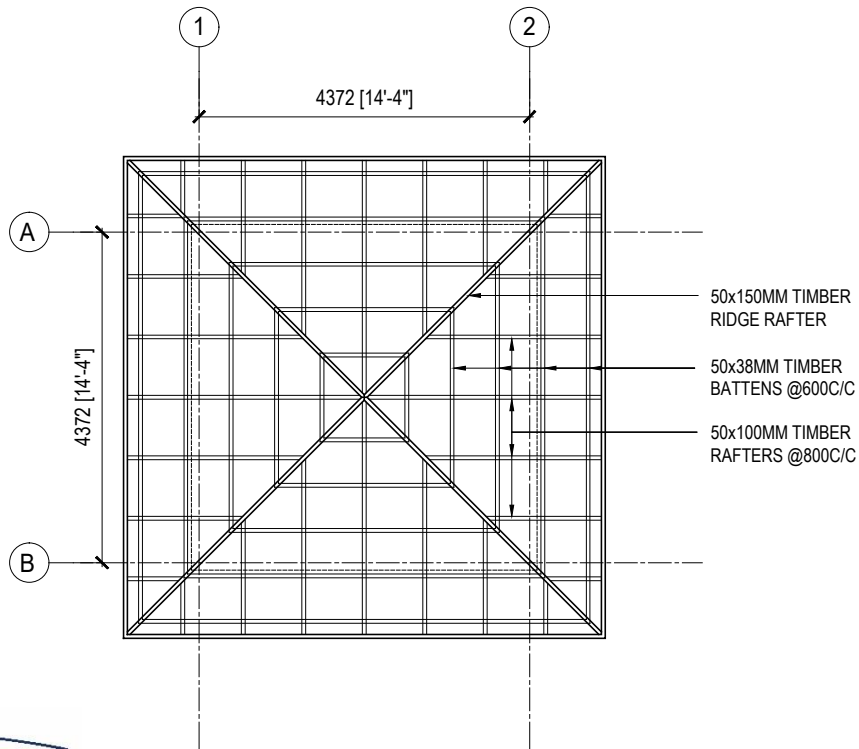
FOUNDATION DEPTH=600MM FROM NGL



<p>SECRETARIAT OF THE KULHUDHUFFUSHI CITY COUNCIL AMEENEE MAGU, KULHUDHUFFUSHI CITY, 02110, REP. OF MALDIVES TEL: 1621 EMAIL: info@kulhudhuffushicity.gov.mv</p>	<p><b>SHEET TITLE:</b> HUT-2 DRAWINGS</p>	<p><b>PROJECT:</b> BOAZIYAARAIY BEACH DEVELOPMENT</p>	<p><b>DRAWN BY:</b> ADAM MOHAMED</p> <p><b>CHECKED BY:</b> IMRAN AHMED</p>	<p><b>DATE:</b> 26 OCTOBER 2024</p> <p><b>SCALE:</b> AS GIVEN</p>	<p><b>PAGE NO:</b> <b>11</b></p>
--	---	---	--	---	--------------------------------------



**ROOF BEAM PLAN**  
SCALE 1:100



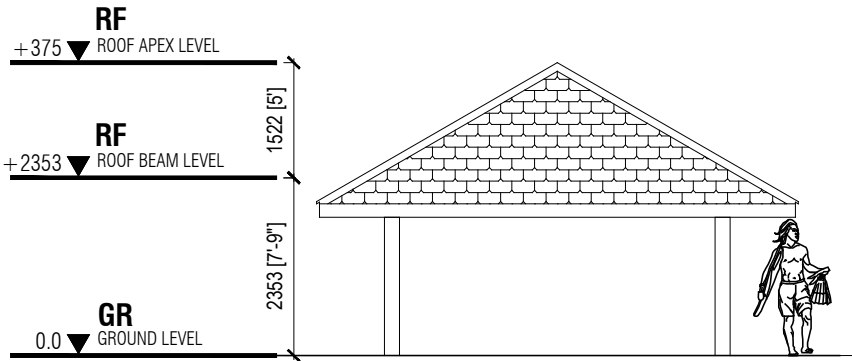
**ROOF FRAMING PLAN**  
SCALE 1:100



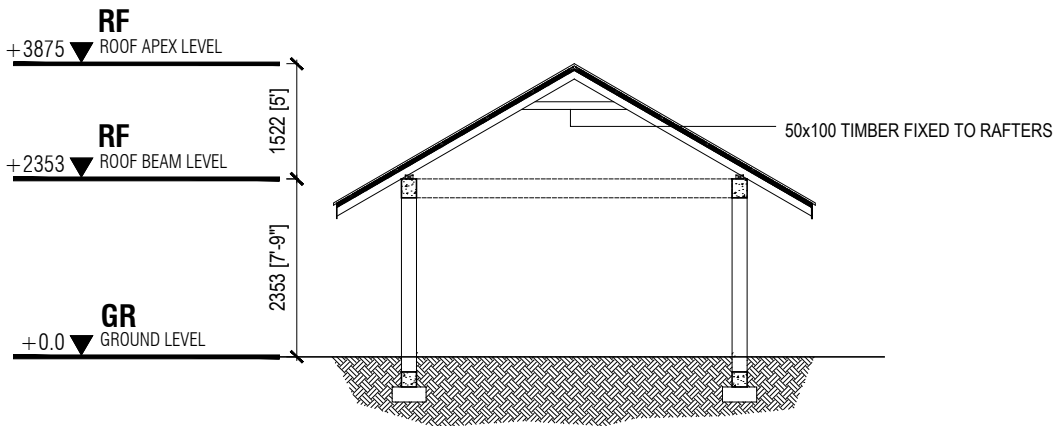
*[Handwritten signature]*

SECRETARIAT OF THE KULHUDHUFFUSHI CITY COUNCIL AMEENEE MAGU, KULHUDHUFFUSHI CITY, 02110, REP. OF MALDIVES TEL: 1621 EMAIL: info@kulhudhuffushicity.gov.mv	<b>SHEET TITLE:</b> HUT-2 DRAWINGS	<b>PROJECT:</b> BOAZIYAARAIY BEACH DEVELOPMENT	<b>DRAWN BY:</b> ADAM MOHAMED  <b>CHECKED BY:</b> IMRAN AHMED	<b>DATE:</b> 26 OCTOBER 2024  <b>SCALE:</b> AS GIVEN	<b>PAGE NO:</b> <b>12</b>
---	---------------------------------------	---	---	--	------------------------------





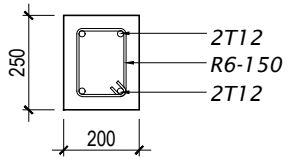
**ELEVATION**  
SCALE 1:100



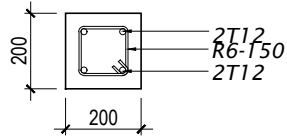
**SECTION**  
SCALE 1:100



SECRETARIAT OF THE KULHUDHUFFUSHI CITY COUNCIL AMEENEE MAGU, KULHUDHUFFUSHI CITY, 02110, REP. OF MALDIVES TEL: 1621 EMAIL: info@kulhudhuffushicity.gov.mv	<b>SHEET TITLE:</b> HUT-2 DRAWINGS	<b>PROJECT:</b> BOAZIYAARAIY BEACH DEVELOPMENT	<b>DRAWN BY:</b> ADAM MOHAMED  <b>CHECKED BY:</b> IMRAN AHMED	<b>DATE:</b> 26 OCTOBER 2024  <b>SCALE:</b> AS GIVEN	<b>PAGE NO:</b>  <b>13</b>
---	---------------------------------------	---	---	--	----------------------------------

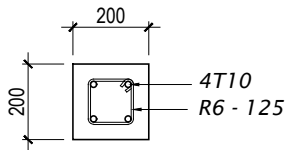


B1



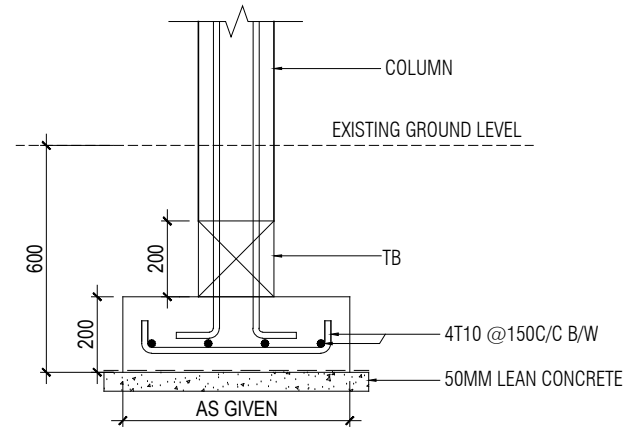
TB

**BEAM DETAILS**  
SCALE 1:20



C1

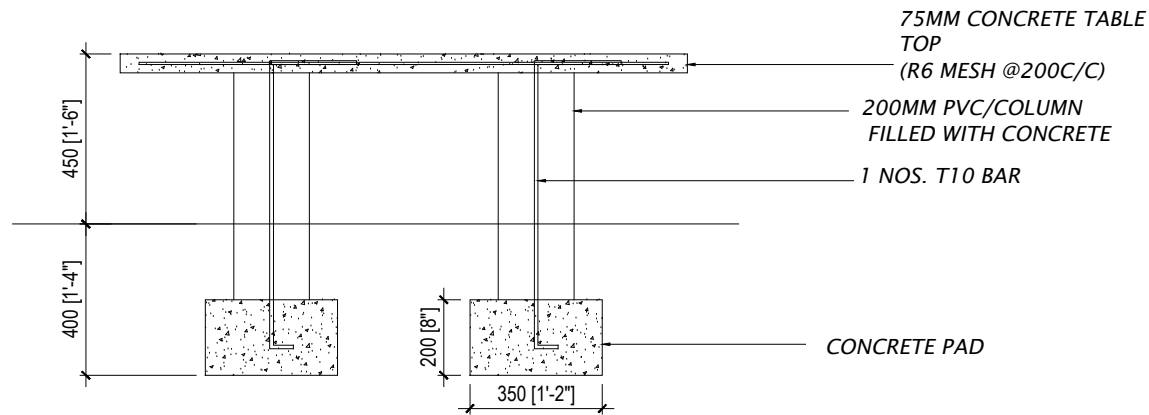
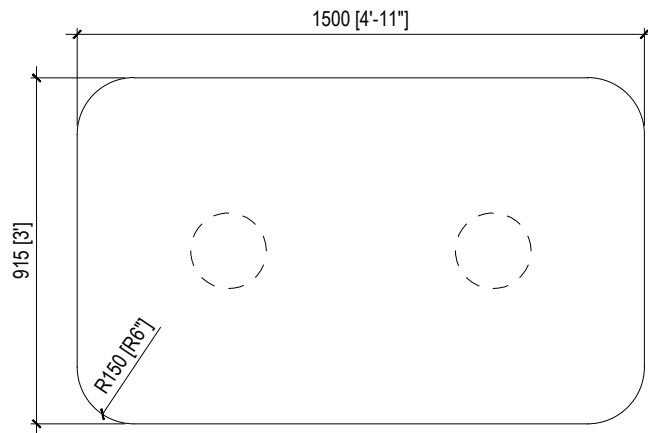
**COLUMN DETAILS**  
SCALE 1:20



**FOUNDATION PAD DETAIL**  
SCALE 1:20



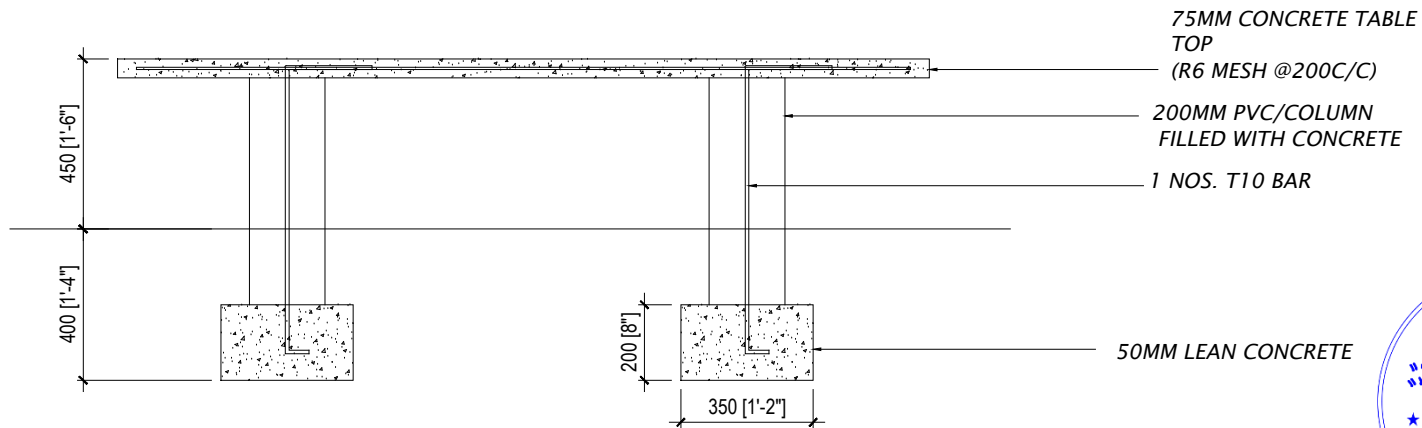
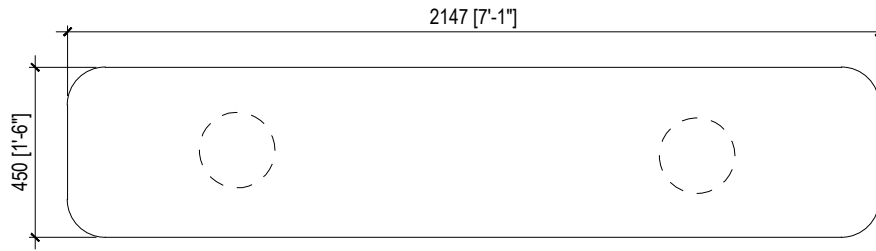
<p>SECRETARIAT OF THE KULHUDHUFFUSHI CITY COUNCIL AMEENE MAGU, KULHUDHUFFUSHI CITY, 02110, REP. OF MALDIVES TEL: 1621 EMAIL: info@kulhudhuffushicity.gov.mv</p>	<p><b>SHEET TITLE:</b> HUT-2 DRAWINGS</p>	<p><b>PROJECT:</b> BOAZIYAARAIY BEACH DEVELOPMENT</p>	<p><b>DRAWN BY:</b> ADAM MOHAMED</p> <p><b>CHECKED BY:</b> IMRAN AHMED</p>	<p><b>DATE:</b> 26 OCTOBER 2024</p> <p><b>SCALE:</b> AS GIVEN</p>	<p><b>PAGE NO:</b> <b>14</b></p>
---	---	---	--	---	--------------------------------------



**TABLE DETAILS (TYPE-1)**  
SCALE 1:20



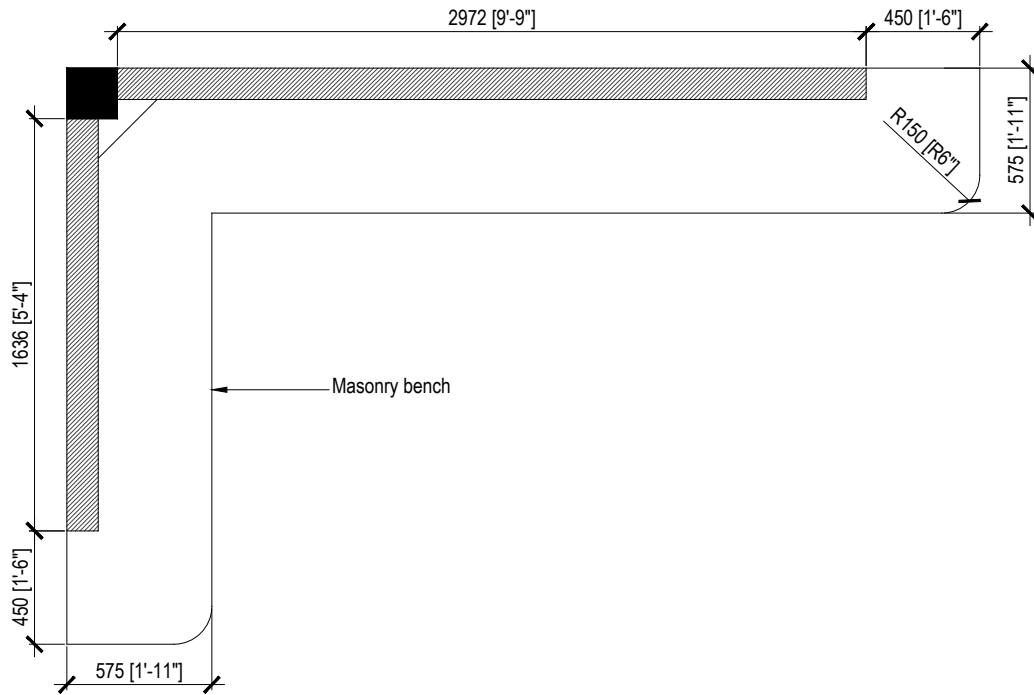
SECRETARIAT OF THE KULHUDHUFFUSHI CITY COUNCIL AMEENEE MAGU, KULHUDHUFFUSHI CITY, 02110, REP. OF MALDIVES TEL: 1621 EMAIL: info@kulhudhuffushicity.gov.mv	SHEET TITLE: HUT-2 DRAWINGS	PROJECT: BOAZIYAARAIY BEACH DEVELOPMENT	DRAWN BY: ADAM MOHAMED	DATE: 26 OCTOBER 2024	PAGE NO: <b>15</b>
			CHECKED BY: IMRAN AHMED	SCALE: AS GIVEN	



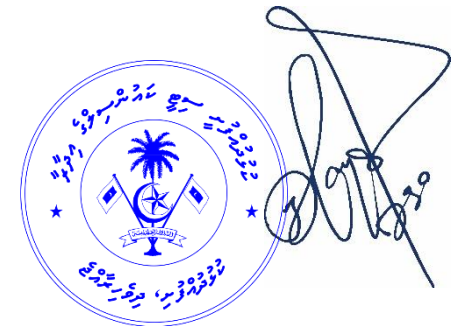
**TABLE DETAILS (TYPE-2)**  
SCALE 1:20



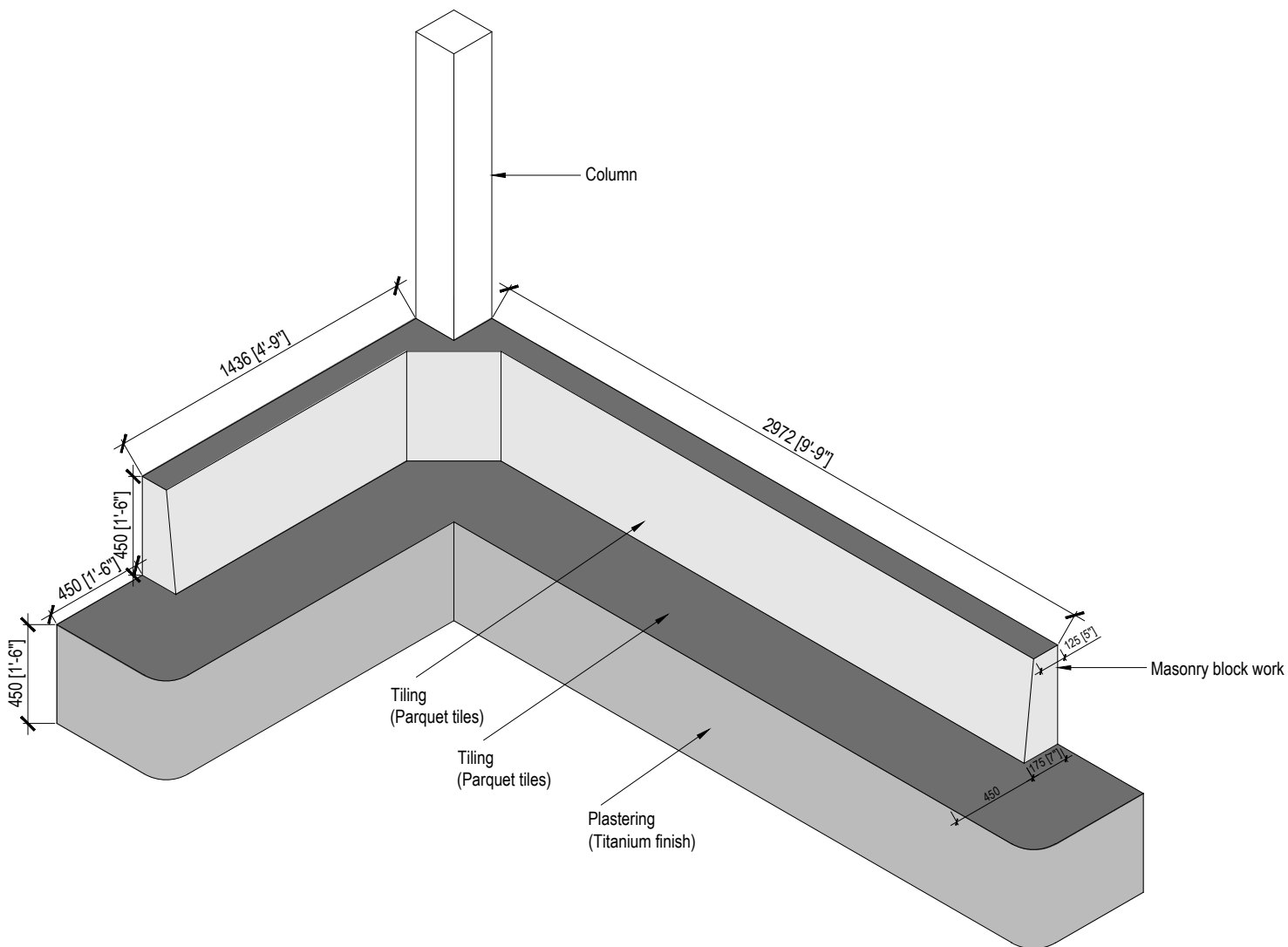
SECRETARIAT OF THE KULHUDHUFFUSHI CITY COUNCIL AMEENEE MAGU, KULHUDHUFFUSHI CITY, 02110, REP. OF MALDIVES TEL: 1621 EMAIL: info@kulhudhuffushicity.gov.mv	SHEET TITLE: HUT-2 DRAWINGS	PROJECT: BOAZIYAARAIY BEACH DEVELOPMENT	DRAWN BY: ADAM MOHAMED	DATE: 26 OCTOBER 2024	PAGE NO: <b>16</b>
			CHECKED BY: IMRAN AHMED	SCALE: AS GIVEN	



**BENCH DETAILS**  
SCALE 1:20

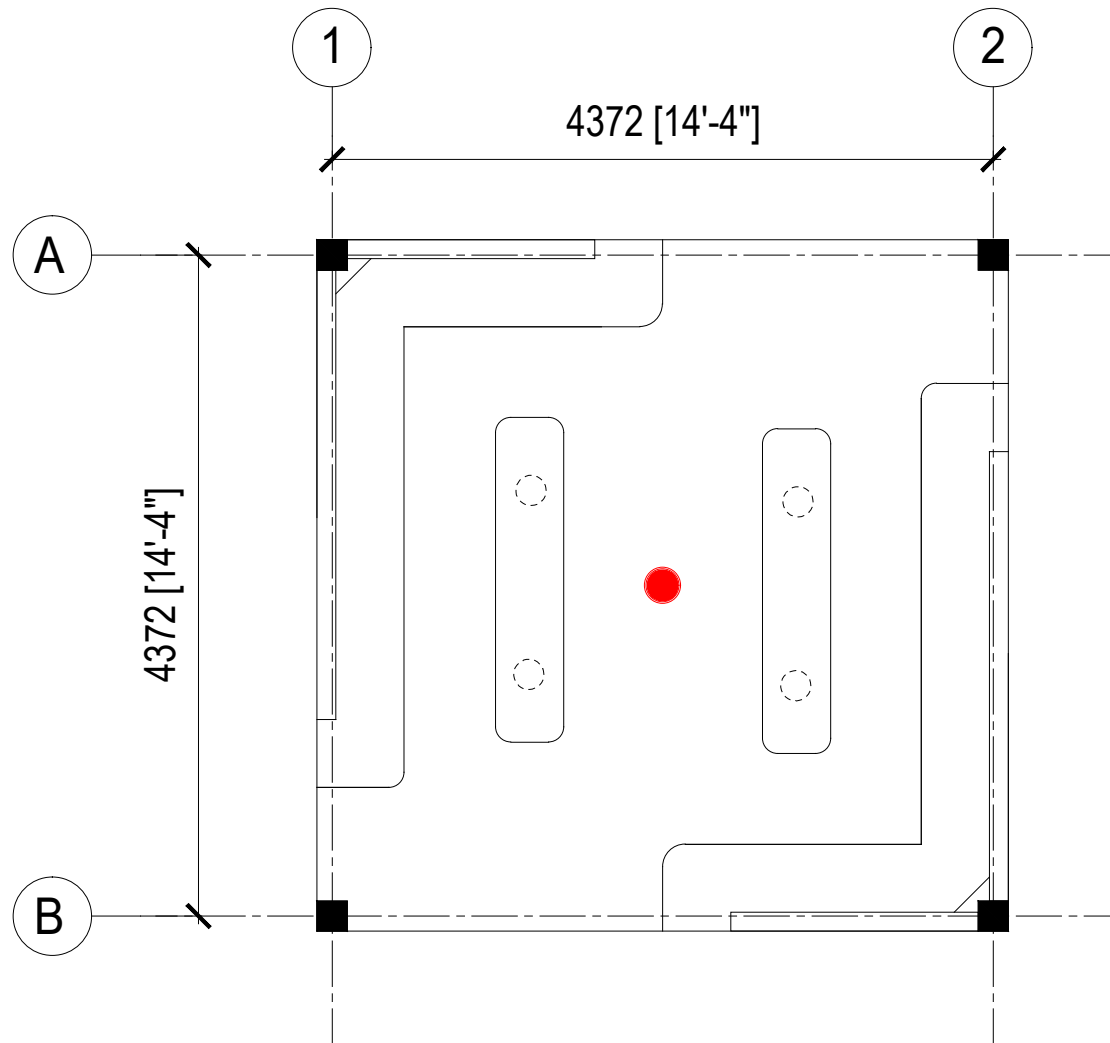


SECRETARIAT OF THE KULHUDHUFFUSHI CITY COUNCIL AMEENEE MAGU, KULHUDHUFFUSHI CITY, 02110, REP. OF MALDIVES TEL: 1621 EMAIL: info@kulhudhuffushicity.gov.mv	SHEET TITLE: HUT-2 DRAWINGS	PROJECT: BOAZIYAARAIY BEACH DEVELOPMENT	DRAWN BY: ADAM MOHAMED	DATE: 26 OCTOBER 2024	PAGE NO: <b>17</b>
			CHECKED BY: IMRAN AHMED	SCALE: AS GIVEN	

**BENCH DETAILS**  
SCALE 1:20

SECRETARIAT OF THE KULHUDHUFFUSHI CITY COUNCIL AMEENEE MAGU, KULHUDHUFFUSHI CITY, 02110, REP. OF MALDIVES TEL: 1621 EMAIL: info@kulhudhuffushicity.gov.mv	SHEET TITLE: HUT-2 DRAWINGS	PROJECT: BOAZIYAARAIY BEACH DEVELOPMENT	DRAWN BY: ADAM MOHAMED	DATE: 26 OCTOBER 2024	PAGE NO: <b>18</b>
			CHECKED BY: IMRAN AHMED	SCALE: AS GIVEN	



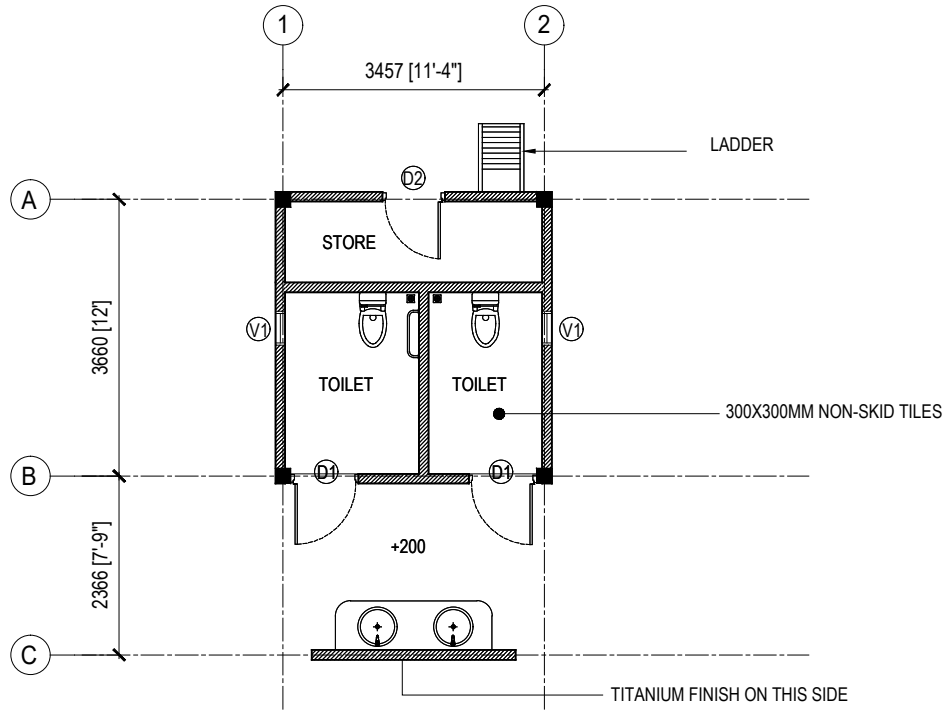
SYMBOL	DESCRIPTION
● C1	SURFACE MOUNT LIGHT (WARM) (TO BE APPROVED BY COUNCIL)



**ELECTRICAL PLAN**  
SCALE 1:20

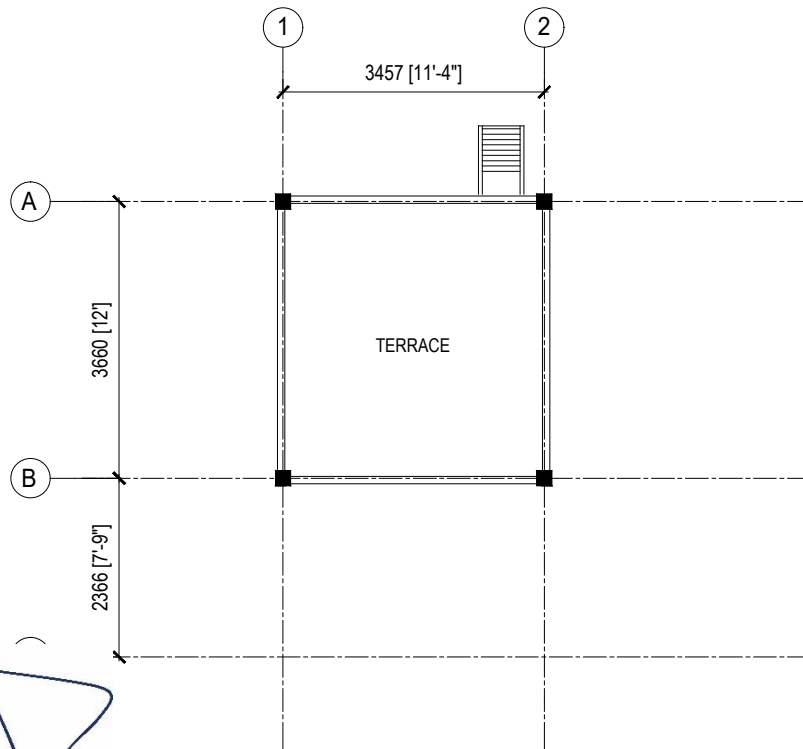
SECRETARIAT OF THE KULHUDHUFFUSHI CITY COUNCIL AMEENEE MAGU, KULHUDHUFFUSHI CITY, 02110, REP. OF MALDIVES TEL: 1621 EMAIL: info@kulhudhuffushicity.gov.mv	SHEET TITLE: HUT-2 DRAWINGS	PROJECT: BOAZIYAARAIY BEACH DEVELOPMENT	DRAWN BY: ADAM MOHAMED	DATE: 26 OCTOBER 2024	PAGE NO: <b>19</b>
			CHECKED BY: IMRAN AHMED	SCALE: AS GIVEN	

**TOILET**  
 FLOOR FINISH:  
**300X300MM** NON-SKID TILES  
 WALL FINISH:  
**300X600MM** PORCELAIN TILES



**GROUND FLOOR PLAN**  
 SCALE 1:100

130MM HOLLOW BLOCK WALL  
 12MM PLASTERING ON BOTH SIDES  
 300X600 PORCELAIN TILES ON BOTH SIDES



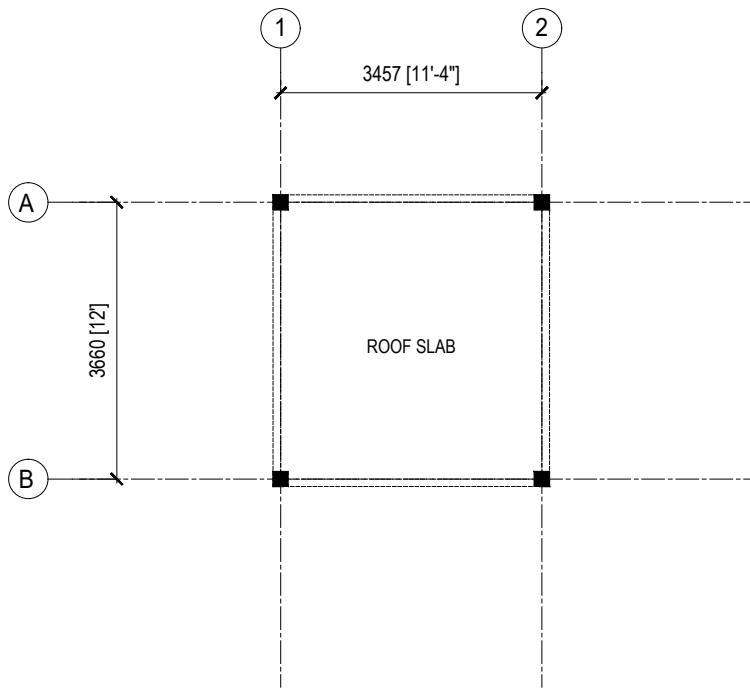
**FIRST FLOOR PLAN**  
 SCALE 1:100

**TERRACE**  
 FLOOR FINISH:  
**150/200 X 1200MM** NON-SKID TILES

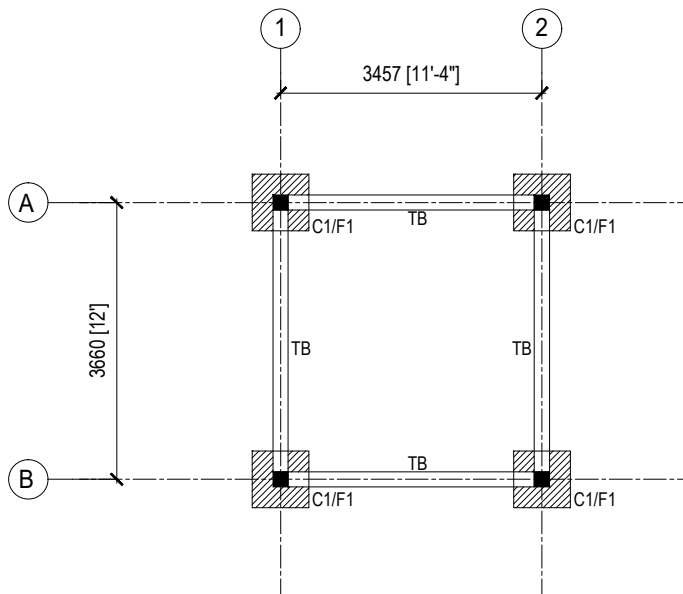


*[Handwritten signature]*





**ROOF SLAB PLAN**  
SCALE 1:100

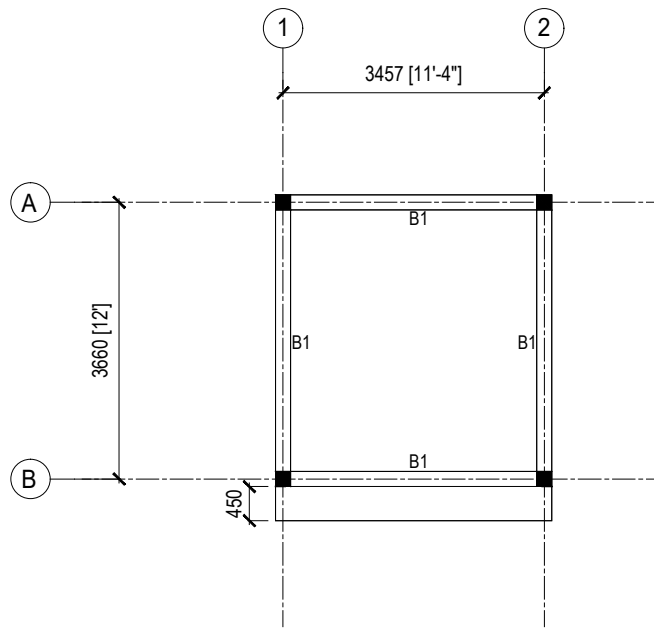


**FOUNDATION PLAN**  
SCALE 1:100

F1-750X750X200 (T10@150C/C B/W BOTTOM)  
FOUNDATION DEPTH=800MM FROM NGL.

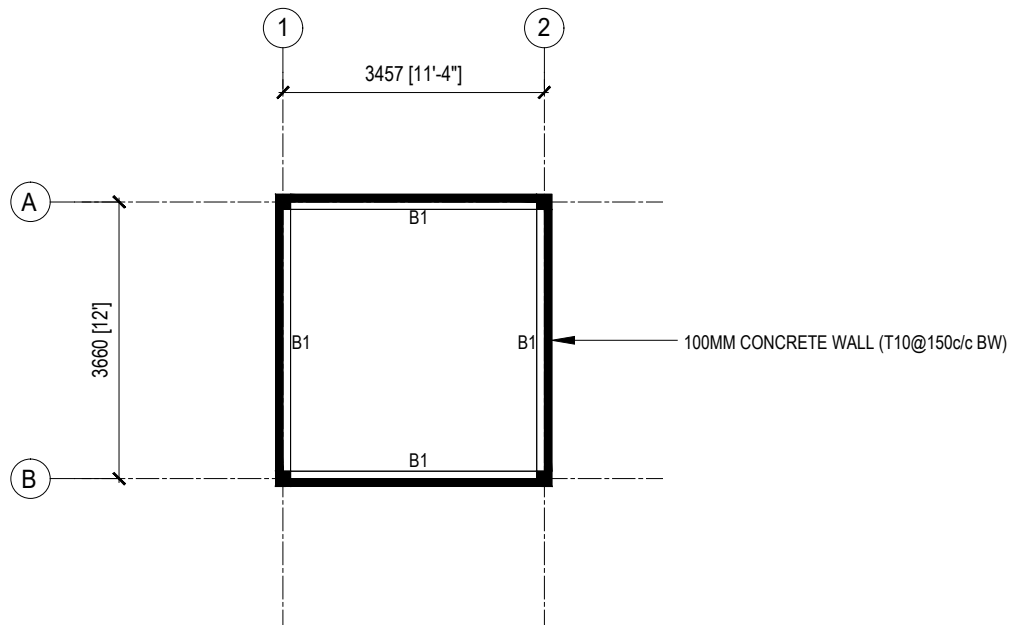


SECRETARIAT OF THE KULHUDHUFFUSHI CITY COUNCIL AMEENEE MAGU, KULHUDHUFFUSHI CITY, 02110, REP. OF MALDIVES TEL: 1621 EMAIL: info@kulhudhuffushicity.gov.mv	<b>SHEET TITLE:</b> TOILET BLOCK DRAWINGS	<b>PROJECT:</b> BOAZIYAARAIY BEACH DEVELOPMENT	<b>DRAWN BY:</b> ADAM MOHAMED  <b>CHECKED BY:</b> IMRAN AHMED	<b>DATE:</b> 26 OCTOBER 2024  <b>SCALE:</b> AS GIVEN	<b>PAGE NO:</b> <b>21</b>
---	--	---	---	--	------------------------------



**1ST FLOOR BEAM/SLAB PLAN**  
SCALE 1:100

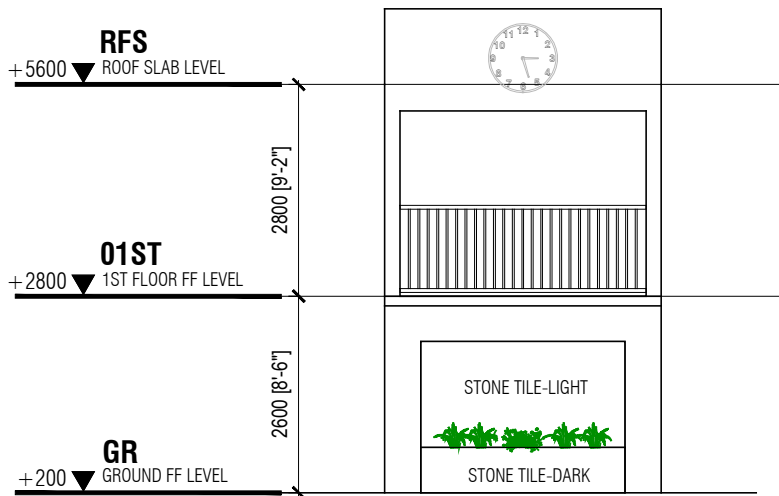
SLAB THICKNESS=130MM  
T10@150 C/C BW TOP & BOTTOM



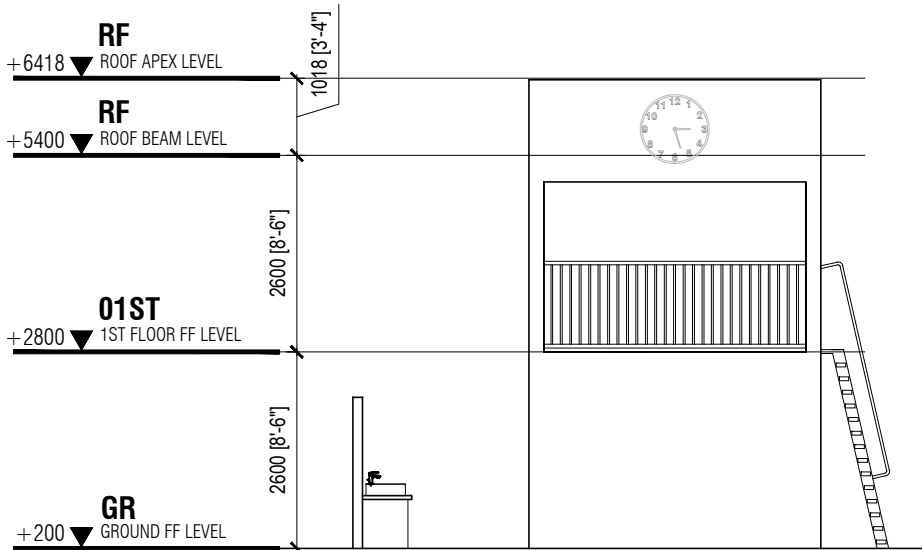
**ROOF BEAM/SLAB PLAN**  
SCALE 1:100

SLAB THICKNESS=130MM  
T10@150 C/C BW TOP & BOTTOM





**FRONT ELEVATION**  
SCALE 1:100

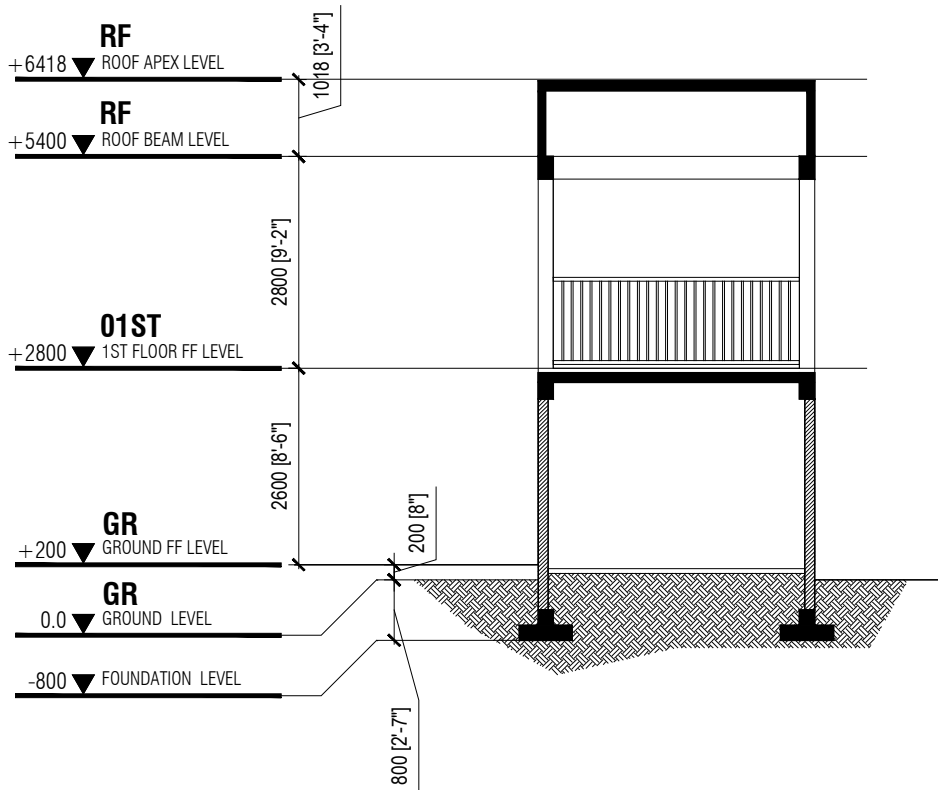


**SIDE ELEVATION**  
SCALE 1:100

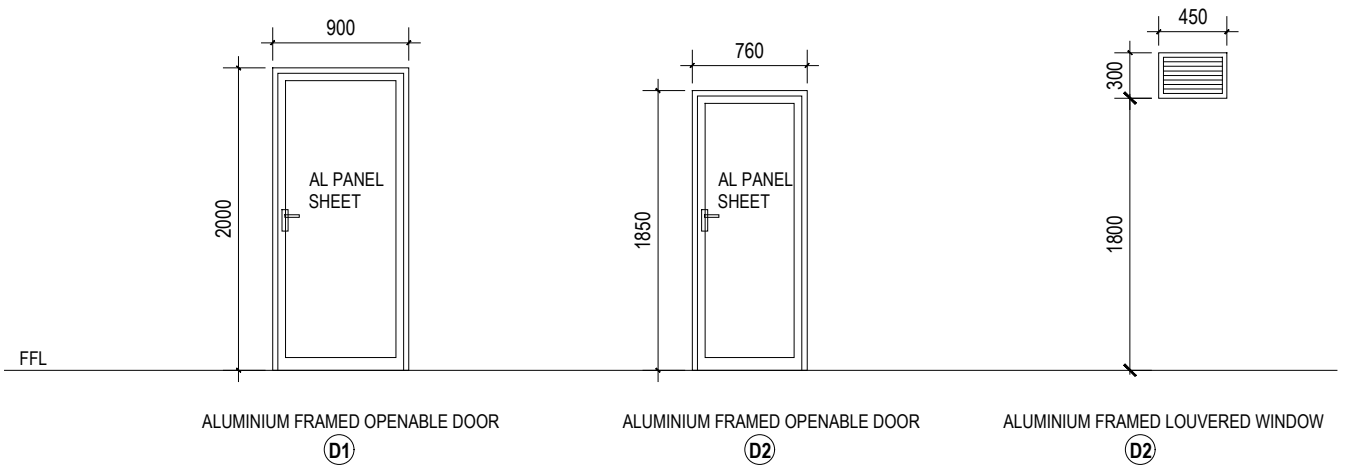


*[Handwritten signature]*

SECRETARIAT OF THE KULHUDHUFFUSHI CITY COUNCIL AMEENEE MAGU, KULHUDHUFFUSHI CITY, 02110, REP. OF MALDIVES TEL: 1621 EMAIL: info@kulhudhuffushicity.gov.mv	<b>SHEET TITLE:</b> TOILET BLOCK DRAWINGS	<b>PROJECT:</b> BOAZIYAARAIY BEACH DEVELOPMENT	<b>DRAWN BY:</b> ADAM MOHAMED  <b>CHECKED BY:</b> IMRAN AHMED	<b>DATE:</b> 26 OCTOBER 2024  <b>SCALE:</b> AS GIVEN	<b>PAGE NO:</b> <b>23</b>
---	--	---	---	--	------------------------------



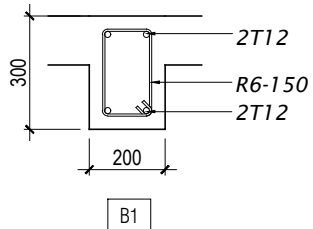
SECTION-X  
SCALE 1:100



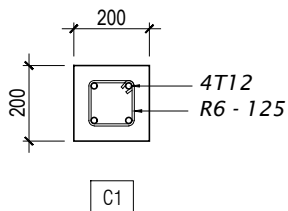
DOOR DETAILS  
SCALE 1:100



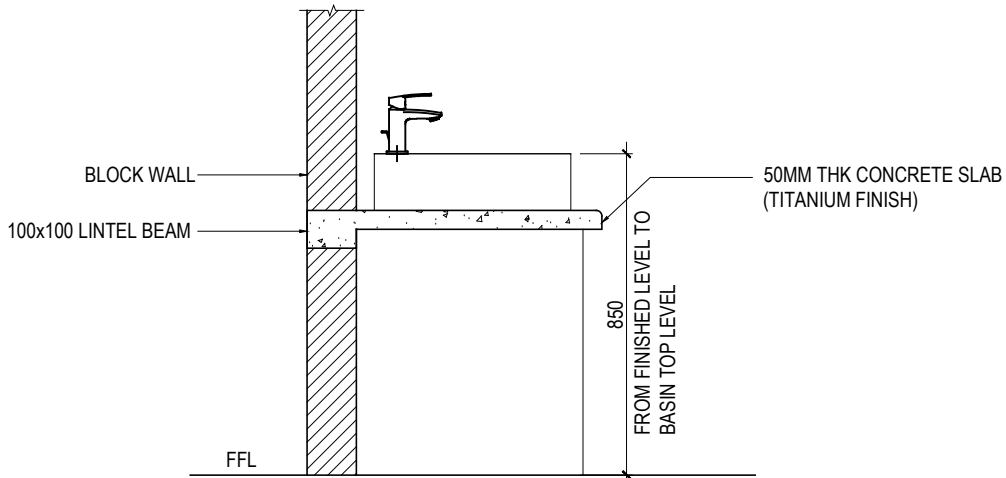
SECRETARIAT OF THE KULHUDHUFFUSHI CITY COUNCIL AMEENEE MAGU, KULHUDHUFFUSHI CITY, 02110, REP. OF MALDIVES TEL: 1621 EMAIL: info@kulhudhuffushicity.gov.mv	<b>SHEET TITLE:</b> TOILET BLOCK DRAWINGS	<b>PROJECT:</b> BOAZIYAARAIY BEACH DEVELOPMENT	<b>DRAWN BY:</b> ADAM MOHAMED  <b>CHECKED BY:</b> IMRAN AHMED	<b>DATE:</b> 26 OCTOBER 2024  <b>SCALE:</b> AS GIVEN	<b>PAGE NO:</b> 24
---	--	---	---	--	-----------------------



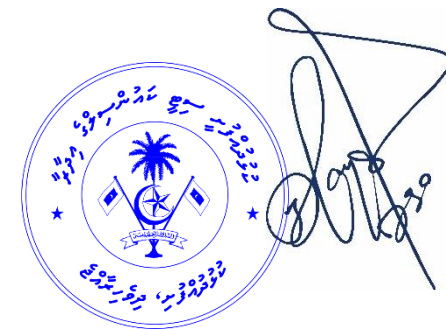
**BEAM DETAILS**  
SCALE 1:20



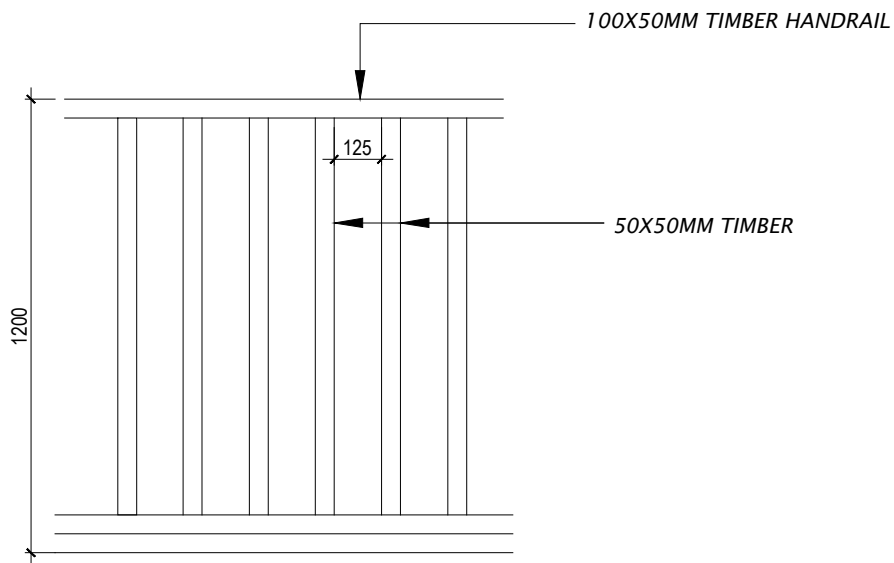
**COLUMN DETAILS**  
SCALE 1:20



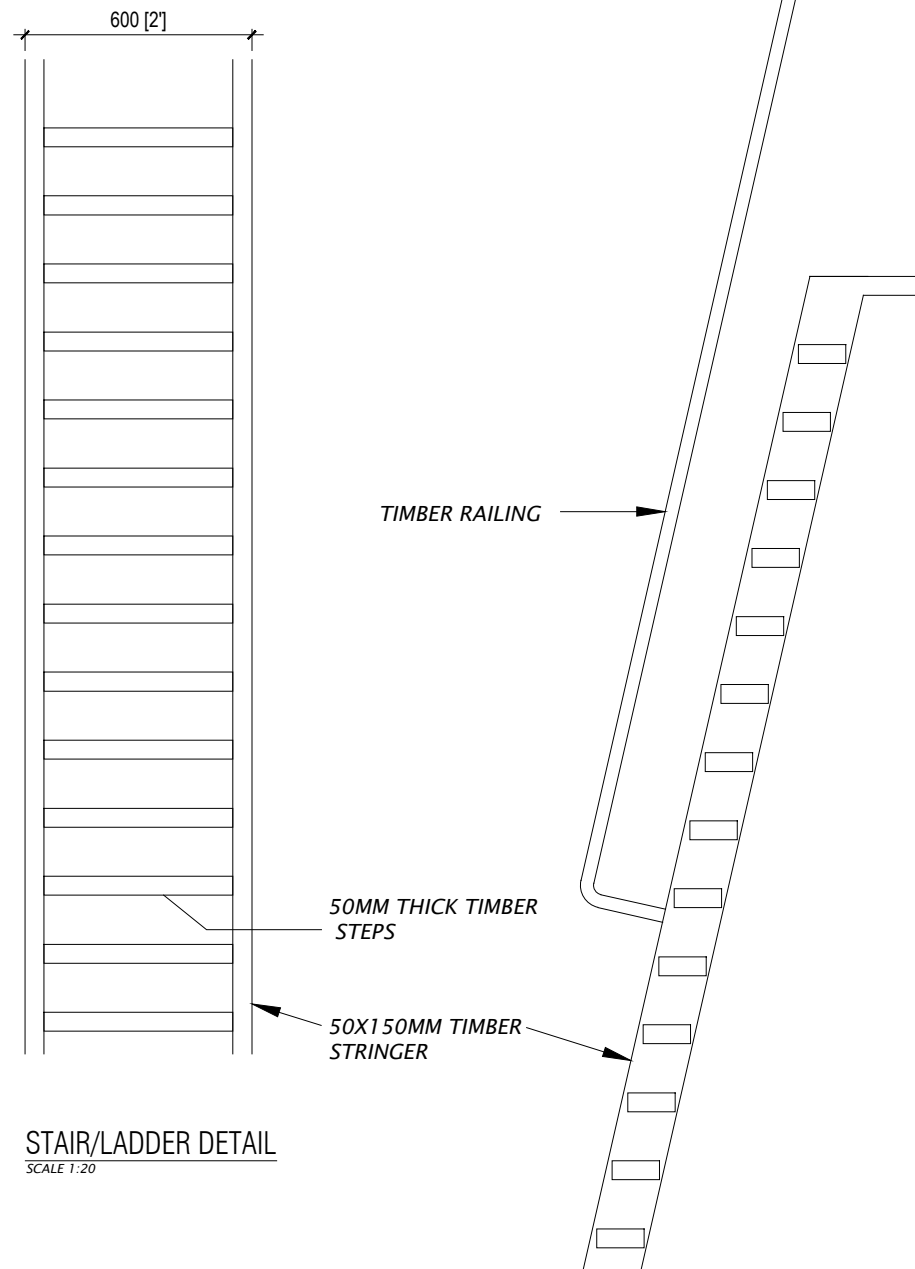
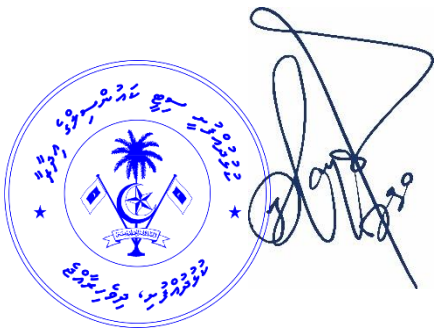
**WASH BASIN COUNTER DETAILS**  
SCALE 1:20



SECRETARIAT OF THE KULHUDHUFFUSHI CITY COUNCIL AMEENEE MAGU, KULHUDHUFFUSHI CITY, 02110, REP. OF MALDIVES TEL: 1621 EMAIL: info@kulhudhuffushicity.gov.mv	SHEET TITLE: TOILET BLOCK DRAWINGS	PROJECT: BOAZIYAARAIY BEACH DEVELOPMENT	DRAWN BY: ADAM MOHAMED	DATE: 26 OCTOBER 2024	PAGE NO: <b>25</b>
			CHECKED BY: IMRAN AHMED	SCALE: AS GIVEN	

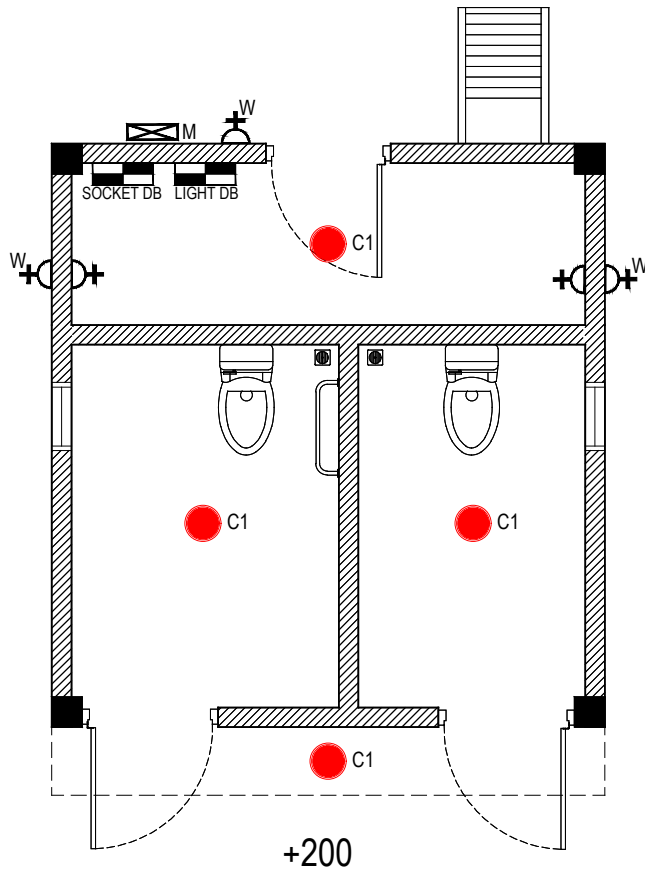


**RAILING DETAIL**  
SCALE 1:20

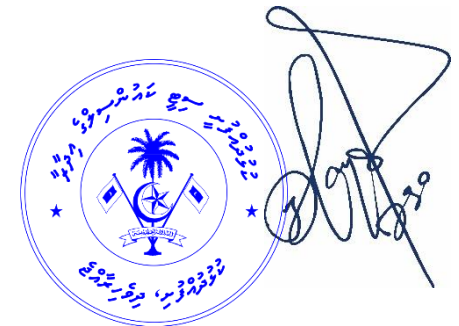
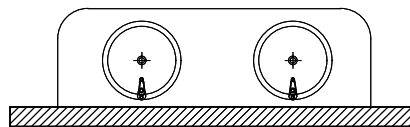


**STAIR/LADDER DETAIL**  
SCALE 1:20

<p>SECRETARIAT OF THE KULHUDHUFFUSHI CITY COUNCIL AMEENEE MAGU, KULHUDHUFFUSHI CITY, 02110, REP. OF MALDIVES TEL: 1621 EMAIL: info@kulhudhuffushicity.gov.mv</p>	<p><b>SHEET TITLE:</b> TOILET BLOCK DRAWINGS</p>	<p><b>PROJECT:</b> BOAZIYAARAIY BEACH DEVELOPMENT</p>	<p><b>DRAWN BY:</b> ADAM MOHAMED</p> <p><b>CHECKED BY:</b> IMRAN AHMED</p>	<p><b>DATE:</b> 26 OCTOBER 2024</p> <p><b>SCALE:</b> AS GIVEN</p>	<p><b>PAGE NO:</b> <b>26</b></p>
--	--	---	--	---	--------------------------------------

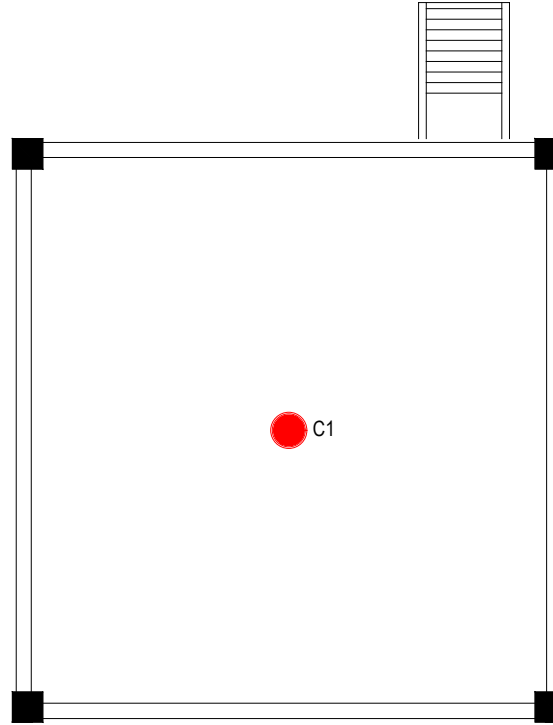


SYMBOL	DESCRIPTION
	SURFACE MOUNT LIGHT (WARM) (TO BE APPROVED BY COUNCIL)
	DISTRIBUTION BOARD
	SINGLE GANG POWER SOCKET
	HOUSE METER (3-PHASE)
	SINGLE GANG POWER SOCKET (WATER PROOF)



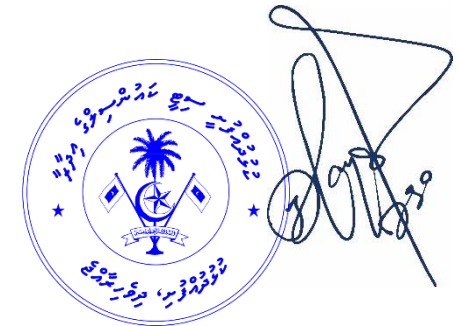
**ELECTRICAL PLAN- GROUND FLOOR**  
SCALE 1:50

SECRETARIAT OF THE KULHUDHUFFUSHI CITY COUNCIL AMEENEE MAGU, KULHUDHUFFUSHI CITY, 02110, REP. OF MALDIVES TEL: 1621 EMAIL: info@kulhudhuffushicity.gov.mv	SHEET TITLE: TOILET BLOCK DRAWINGS	PROJECT: BOAZIYAARAIY BEACH DEVELOPMENT	DRAWN BY: ADAM MOHAMED	DATE: 26 OCTOBER 2024	PAGE NO: <b>27</b>
			CHECKED BY: IMRAN AHMED	SCALE: AS GIVEN	



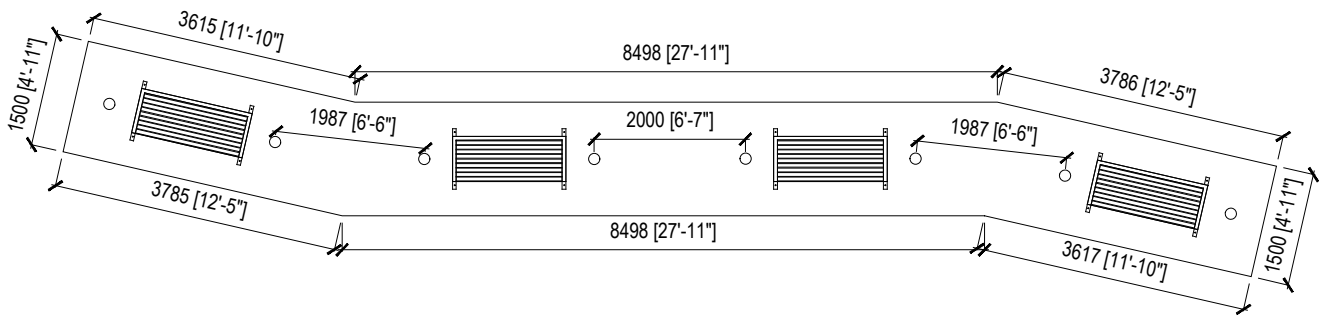
SYMBOL	DESCRIPTION
● C1	SURFACE MOUNT LIGHT (WARM) (TO BE APPROVED BY COUNCIL)

**ELECTRICAL PLAN- FIRST FLOOR**  
SCALE 1:50

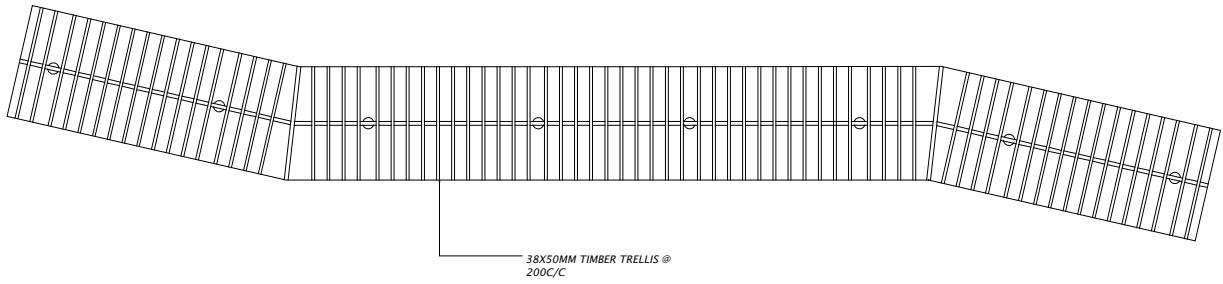


SECRETARIAT OF THE KULHUDHUFFUSHI CITY COUNCIL AMEENEE MAGU, KULHUDHUFFUSHI CITY, 02110, REP. OF MALDIVES TEL: 1621 EMAIL: info@kulhudhuffushicity.gov.mv	<b>SHEET TITLE:</b> TOILET BLOCK DRAWINGS	<b>PROJECT:</b> BOAZIYAARAIY BEACH DEVELOPMENT	<b>DRAWN BY:</b> ADAM MOHAMED	<b>DATE:</b> 26 OCTOBER 2024	<b>PAGE NO:</b> <b>28</b>
			<b>CHECKED BY:</b> IMRAN AHMED	<b>SCALE:</b> AS GIVEN	





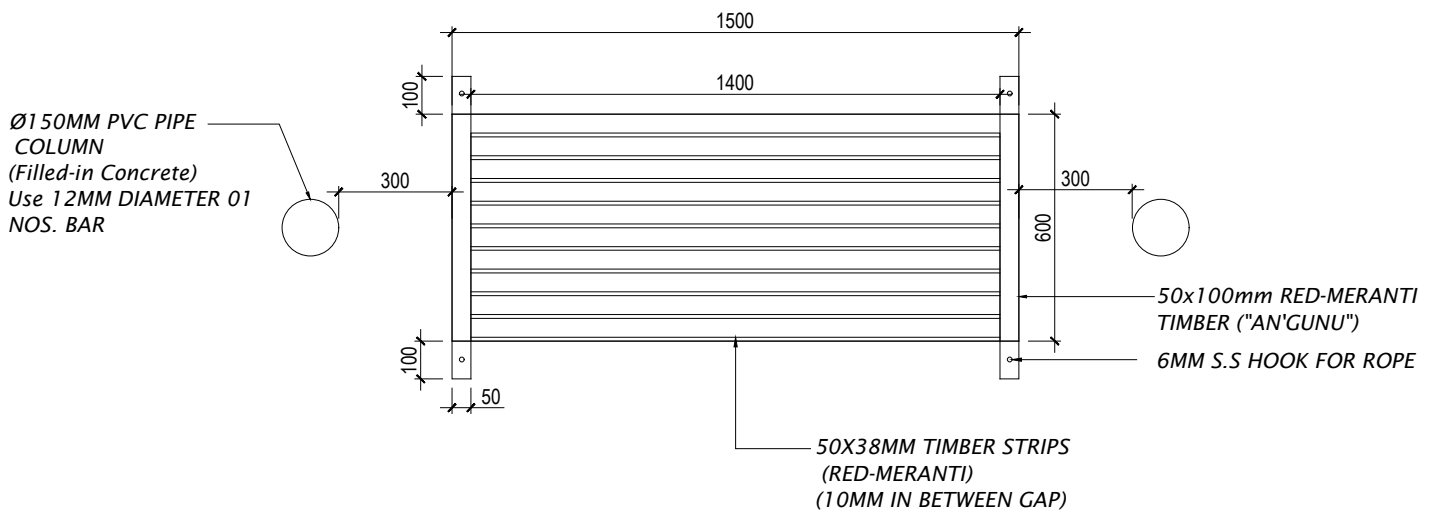
**UNDHOALI SETTING-OUT PLAN**  
SCALE 1:100



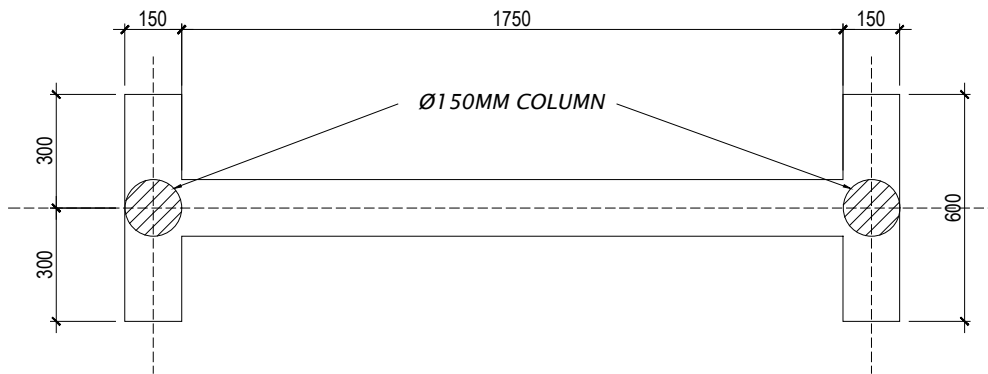
**UNDHOALI TRELLIS PLAN**  
SCALE 1:100



SECRETARIAT OF THE KULHUDHUFFUSHI CITY COUNCIL AMEENEE MAGU, KULHUDHUFFUSHI CITY, 02110, REP. OF MALDIVES TEL: 1621 EMAIL: info@kulhudhuffushicity.gov.mv	<b>SHEET TITLE:</b> UNDHOALI DRAWINGS	<b>PROJECT:</b> BOAZIYAARAIY BEACH DEVELOPMENT	<b>DRAWN BY:</b> ADAM MOHAMED  <b>CHECKED BY:</b> IMRAN AHMED	<b>DATE:</b> 26 OCTOBER 2024  <b>SCALE:</b> AS GIVEN	<b>PAGE NO:</b> <b>29</b>
---	--	---	---	--	------------------------------



**UNDHOALI- TOP VIEW**  
SCALE 1:20

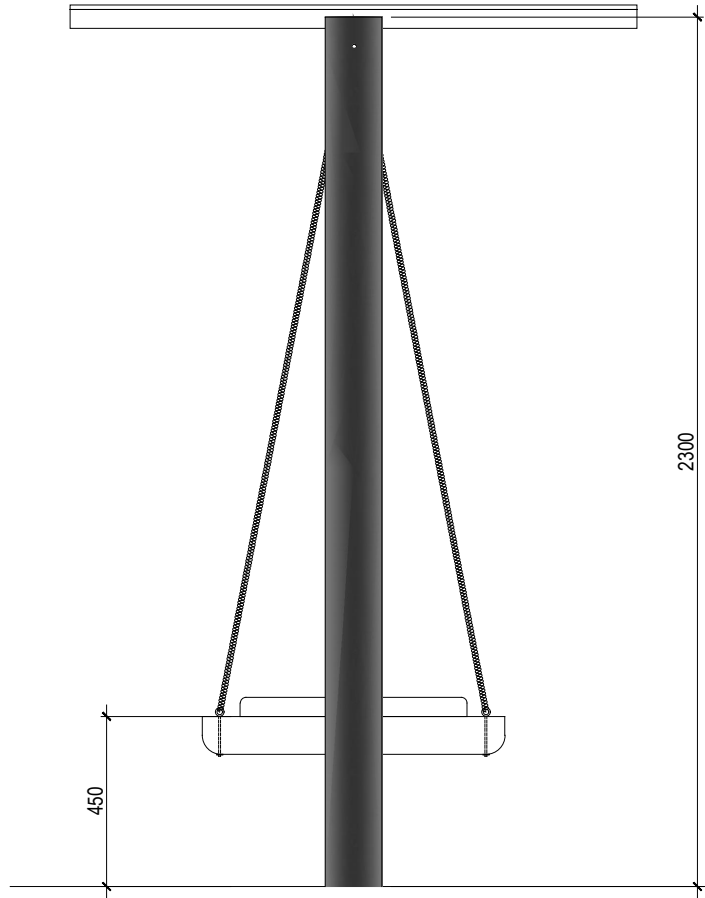


ALL BEAMS- SIZE=150X150MM  
USE T10 BARS (ONE BAR)  
FOUNDATION DEPTH=750MM FROM NGL

**UNDHOALI FOUNDATION- PLAN**  
SCALE 1:20



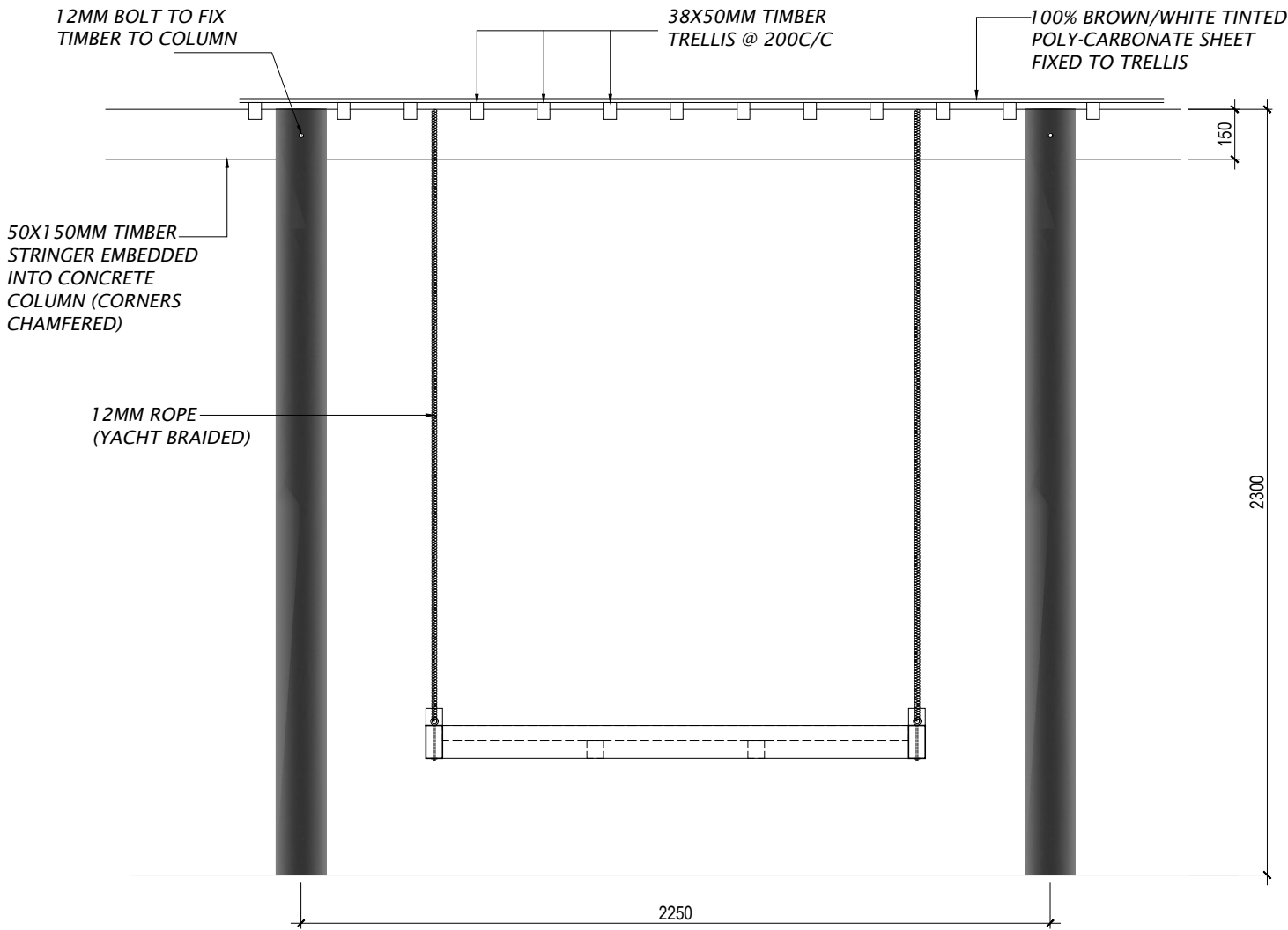
SECRETARIAT OF THE KULHUDHUFFUSHI CITY COUNCIL AMEENEE MAGU, KULHUDHUFFUSHI CITY, 02110, REP. OF MALDIVES TEL: 1621 EMAIL: info@kulhudhuffushicity.gov.mv	SHEET TITLE: UNDHOALI DRAWINGS	PROJECT: BOAZIYAARAIY BEACH DEVELOPMENT	DRAWN BY: ADAM MOHAMED	DATE: 26 OCTOBER 2024	PAGE NO:
			CHECKED BY: IMRAN AHMED	SCALE: AS GIVEN	<b>30</b>



**UNDHOALI SIDE ELEVATION**  
SCALE 1:20



SECRETARIAT OF THE KULHUDHUFFUSHI CITY COUNCIL AMEENEE MAGU, KULHUDHUFFUSHI CITY, 02110, REP. OF MALDIVES TEL: 1621 EMAIL: info@kulhudhuffushicity.gov.mv	<b>SHEET TITLE:</b> UNDHOALI DRAWINGS	<b>PROJECT:</b> BOAZIYAARAIY BEACH DEVELOPMENT	<b>DRAWN BY:</b> ADAM MOHAMED  <b>CHECKED BY:</b> IMRAN AHMED	<b>DATE:</b> 26 OCTOBER 2024  <b>SCALE:</b> AS GIVEN	<b>PAGE NO:</b> <b>31</b>
---	--	---	---	--	------------------------------

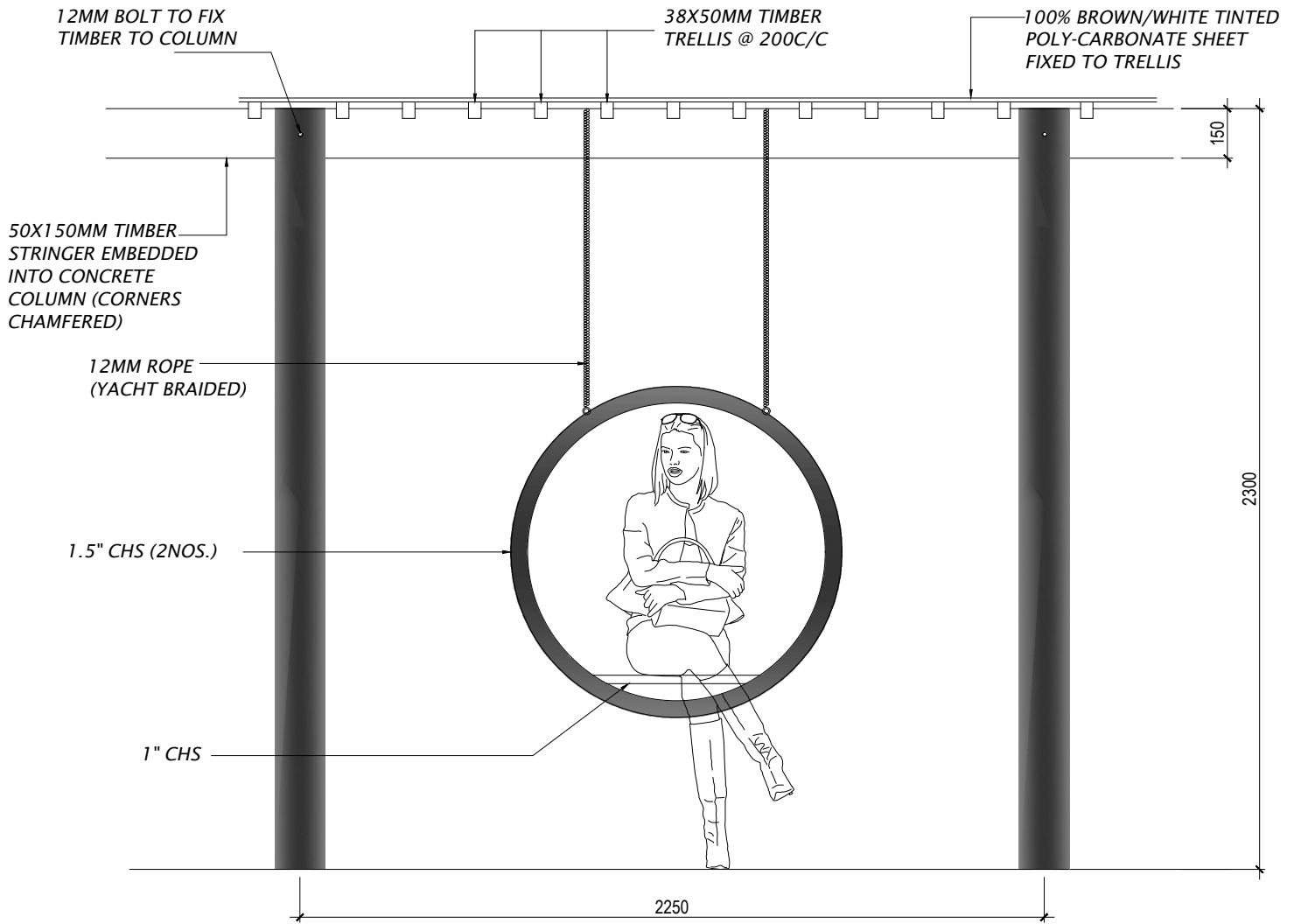


**UNDHOALI FRONT ELEVATION**

SCALE 1:20



<p>SECRETARIAT OF THE KULHUDHUFFUSHI CITY COUNCIL AMEENEE MAGU, KULHUDHUFFUSHI CITY, 02110, REP. OF MALDIVES TEL: 1621 EMAIL: info@kulhudhuffushicity.gov.mv</p>	<p><b>SHEET TITLE:</b> UNDHOALI DRAWINGS</p>	<p><b>PROJECT:</b> BOAZIYAARAIY BEACH DEVELOPMENT</p>	<p><b>DRAWN BY:</b> ADAM MOHAMED</p> <p><b>CHECKED BY:</b> IMRAN AHMED</p>	<p><b>DATE:</b> 26 OCTOBER 2024</p> <p><b>SCALE:</b> AS GIVEN</p>	<p><b>PAGE NO:</b> <b>32</b></p>
--	--	---	--	---	--------------------------------------

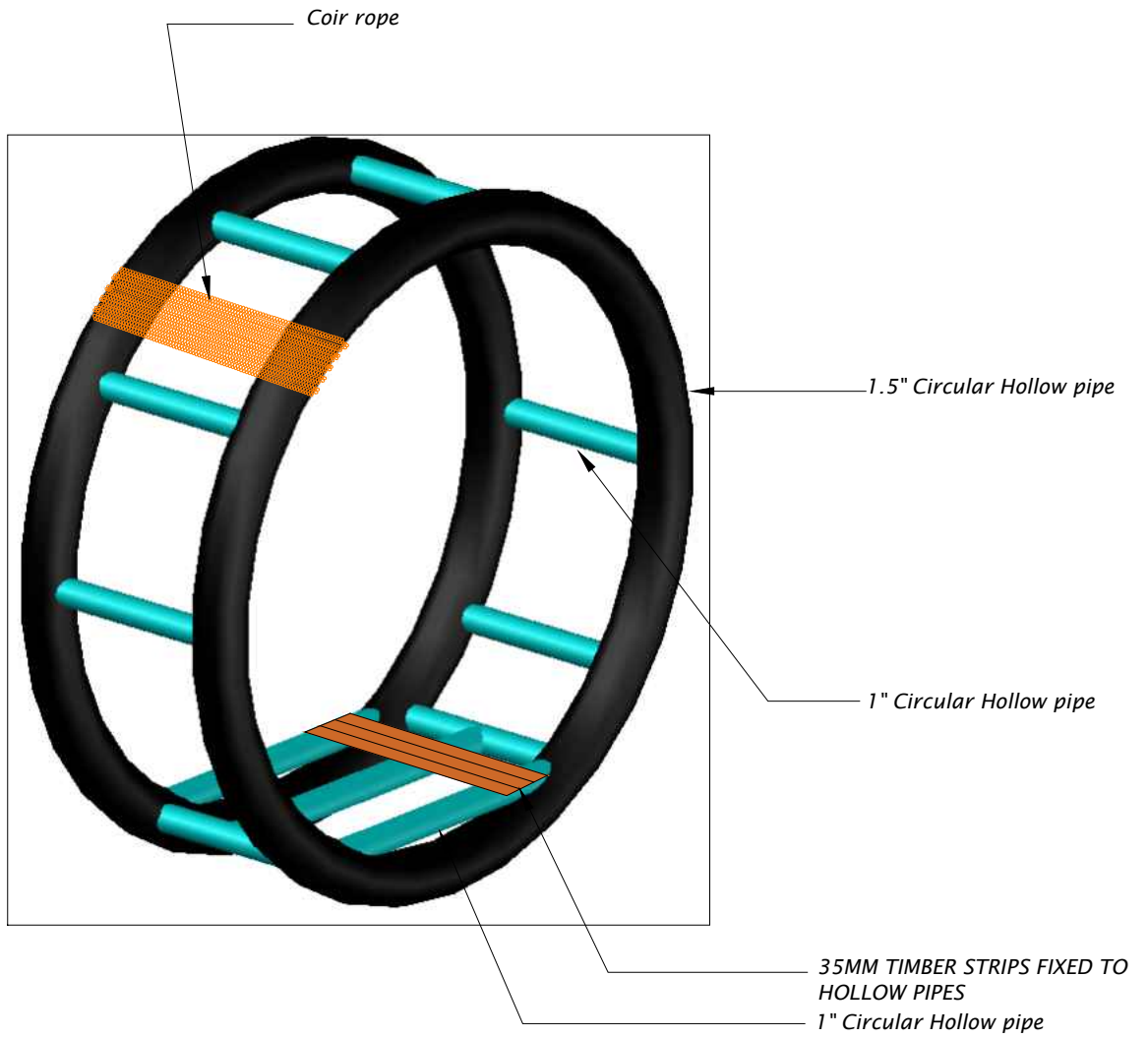


**UNDHOALI FRONT ELEVATION (TYPE-2)**

SCALE 1:20



<p>SECRETARIAT OF THE KULHUDHUFFUSHI CITY COUNCIL AMEENEE MAGU, KULHUDHUFFUSHI CITY, 02110, REP. OF MALDIVES TEL: 1621 EMAIL: info@kulhudhuffushicity.gov.mv</p>	<p><b>SHEET TITLE:</b> UNDHOALI DRAWINGS</p>	<p><b>PROJECT:</b> BOAZIYAARAIY BEACH DEVELOPMENT</p>	<p><b>DRAWN BY:</b> ADAM MOHAMED</p> <p><b>CHECKED BY:</b> IMRAN AHMED</p>	<p><b>DATE:</b> 26 OCTOBER 2024</p> <p><b>SCALE:</b> AS GIVEN</p>	<p><b>PAGE NO:</b> <b>33</b></p>
--	--	---	--	---	--------------------------------------

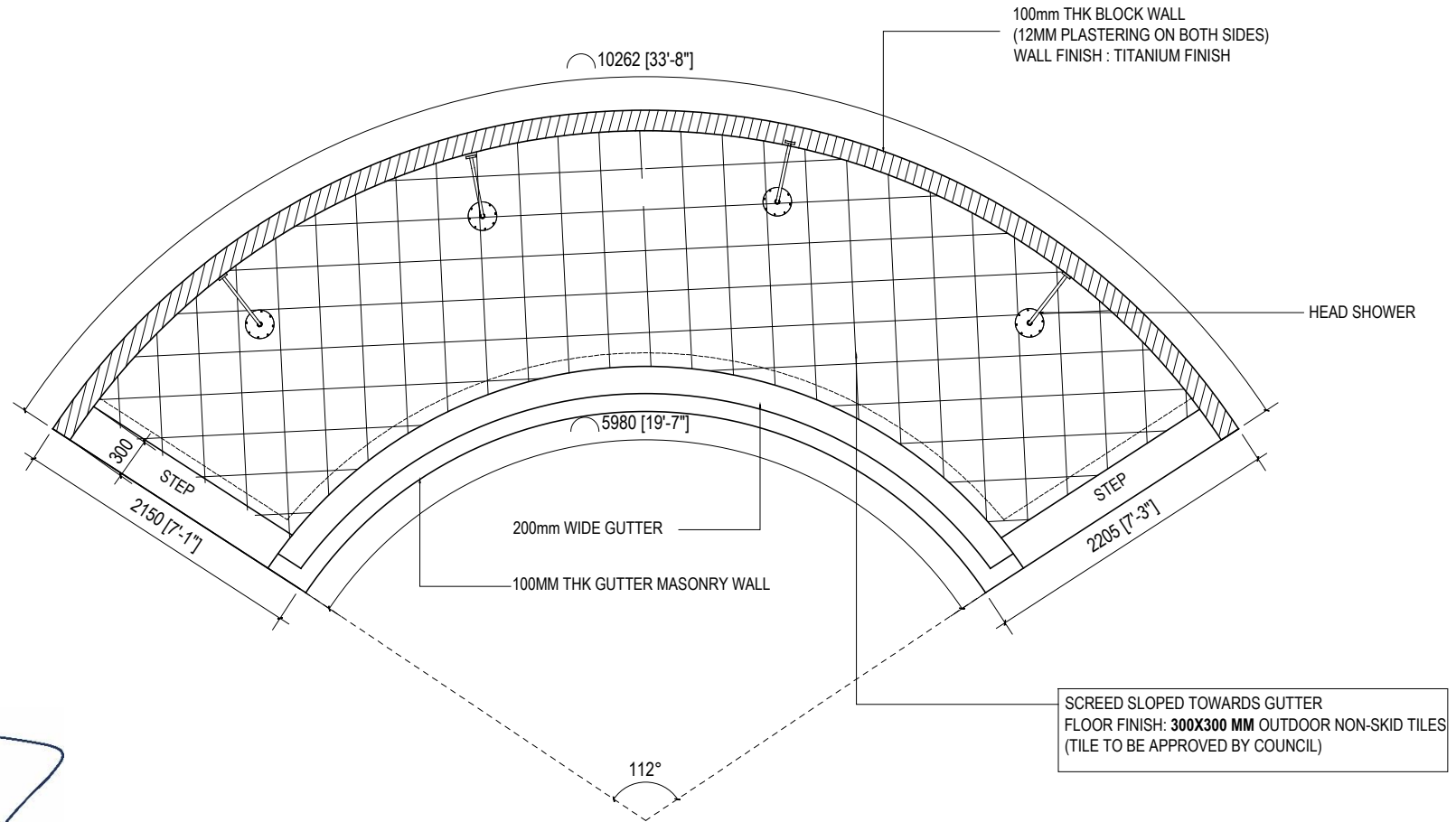


**UNDHOALI (TYPE-2) FRAME DETAILS**

SCALE 1:20



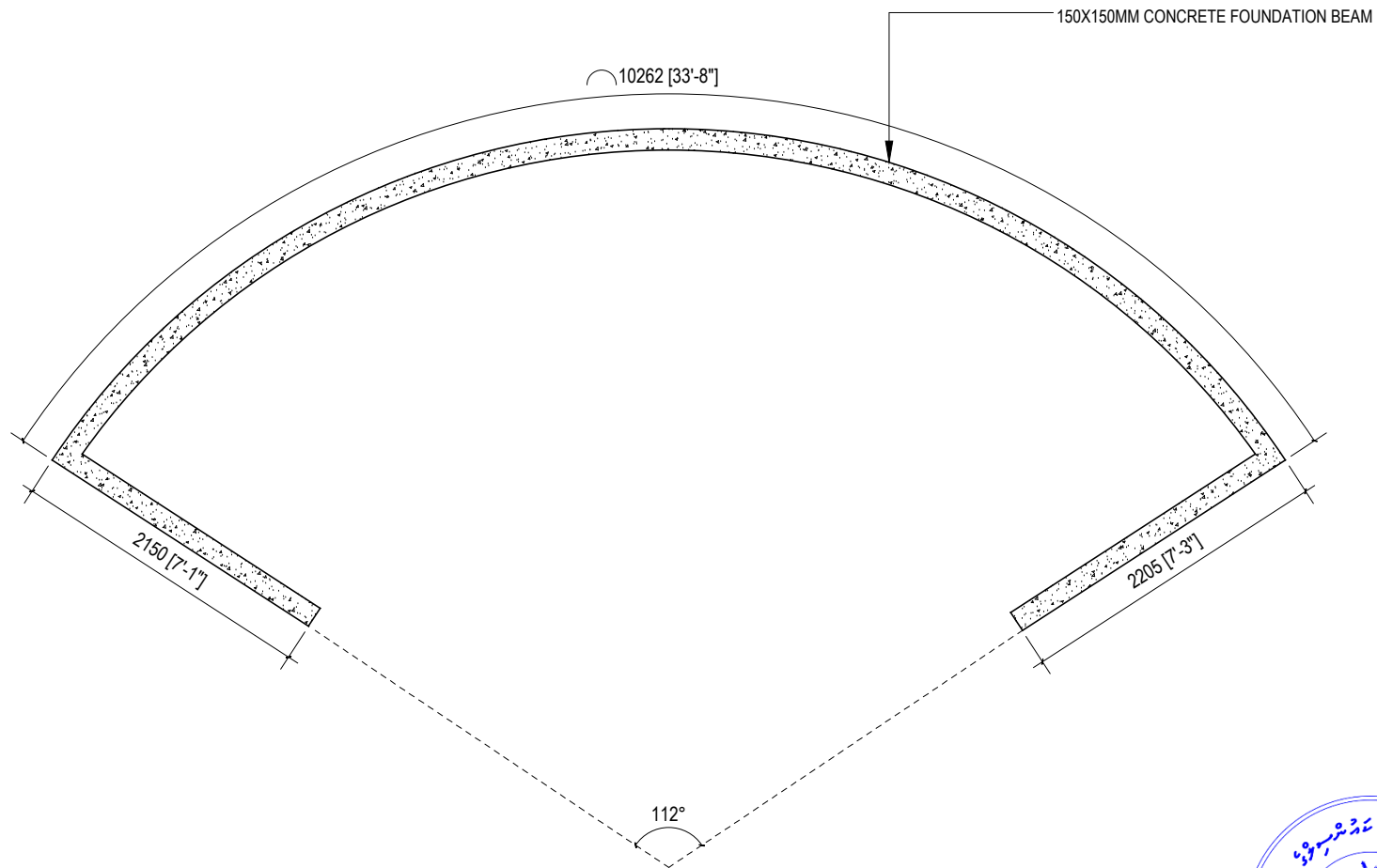
<p>SECRETARIAT OF THE KULHUDHUFFUSHI CITY COUNCIL          AMEENEE MAGU, KULHUDHUFFUSHI CITY, 02110, REP. OF MALDIVES          TEL: 1621 EMAIL: info@kulhudhuffushicity.gov.mv</p>	<p><b>SHEET TITLE:</b>          UNDHOALI DRAWINGS</p>	<p><b>PROJECT:</b>          BOAZIYAARAIY BEACH DEVELOPMENT</p>	<p><b>DRAWN BY:</b>          ADAM MOHAMED</p> <p><b>CHECKED BY:</b>          IMRAN AHMED</p>	<p><b>DATE:</b> 26 OCTOBER 2024</p> <p><b>SCALE:</b> AS GIVEN</p>	<p><b>PAGE NO:</b>  <b>34</b></p>
--	---	--	--	---	---------------------------------------



*[Handwritten signature]*

**SHOWER-PLAN**  
SCALE 1:50

SECRETARIAT OF THE KULHUDHUFFUSHI CITY COUNCIL AMEENEE MAGU, KULHUDHUFFUSHI CITY, 02110, REP. OF MALDIVES TEL: 1621 EMAIL: info@kulhudhuffushicity.gov.mv	<b>SHEET TITLE:</b> SHOWER DRAWINGS	<b>PROJECT:</b> BOAZIYAARAIY BEACH DEVELOPMENT	<b>DRAWN BY:</b> ADAM MOHAMED	<b>DATE:</b> 26 OCTOBER 2024	<b>PAGE NO:</b> <b>35</b>
			<b>CHECKED BY:</b> IMRAN AHMED	<b>SCALE:</b> AS GIVEN	

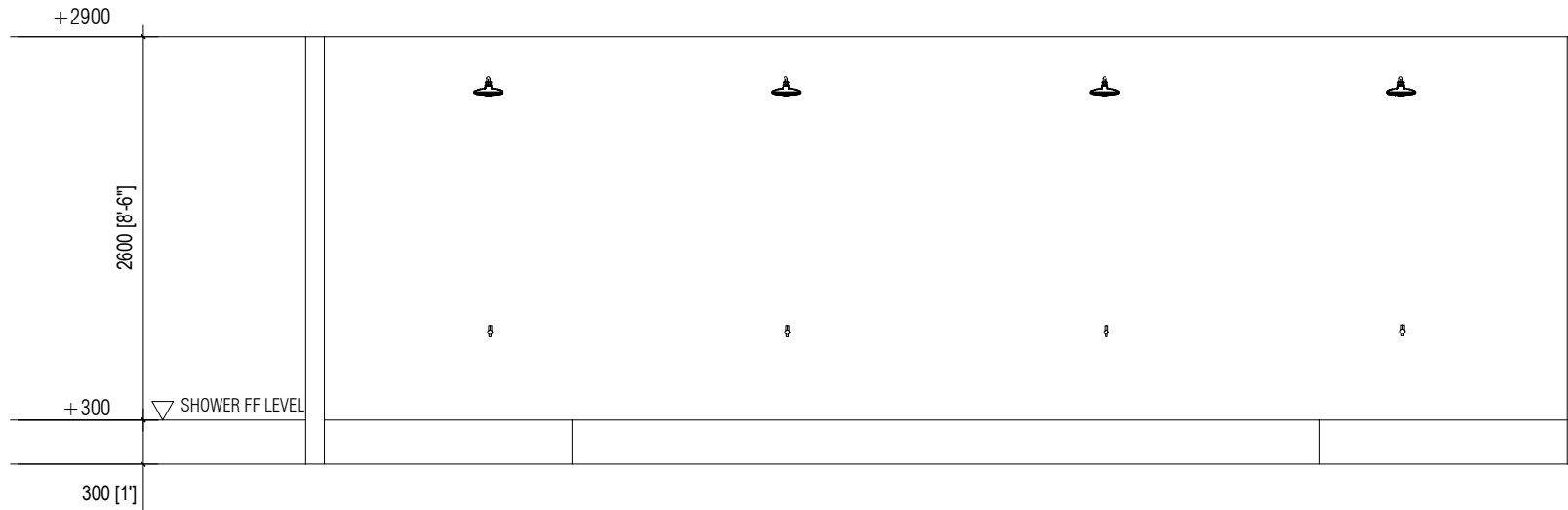


**SHOWER WALL FOUNDATION PLAN**  
SCALE 1:50



SECRETARIAT OF THE KULHUDHUFFUSHI CITY COUNCIL AMEENEE MAGU, KULHUDHUFFUSHI CITY, 02110, REP. OF MALDIVES TEL: 1621 EMAIL: info@kulhudhuffushicity.gov.mv	<b>SHEET TITLE:</b> SHOWER DRAWINGS	<b>PROJECT:</b> BOAZIYAARAIY BEACH DEVELOPMENT	<b>DRAWN BY:</b> ADAM MOHAMED	<b>DATE:</b> 26 OCTOBER 2024	<b>PAGE NO:</b> <b>36</b>
			<b>CHECKED BY:</b> IMRAN AHMED	<b>SCALE:</b> AS GIVEN	

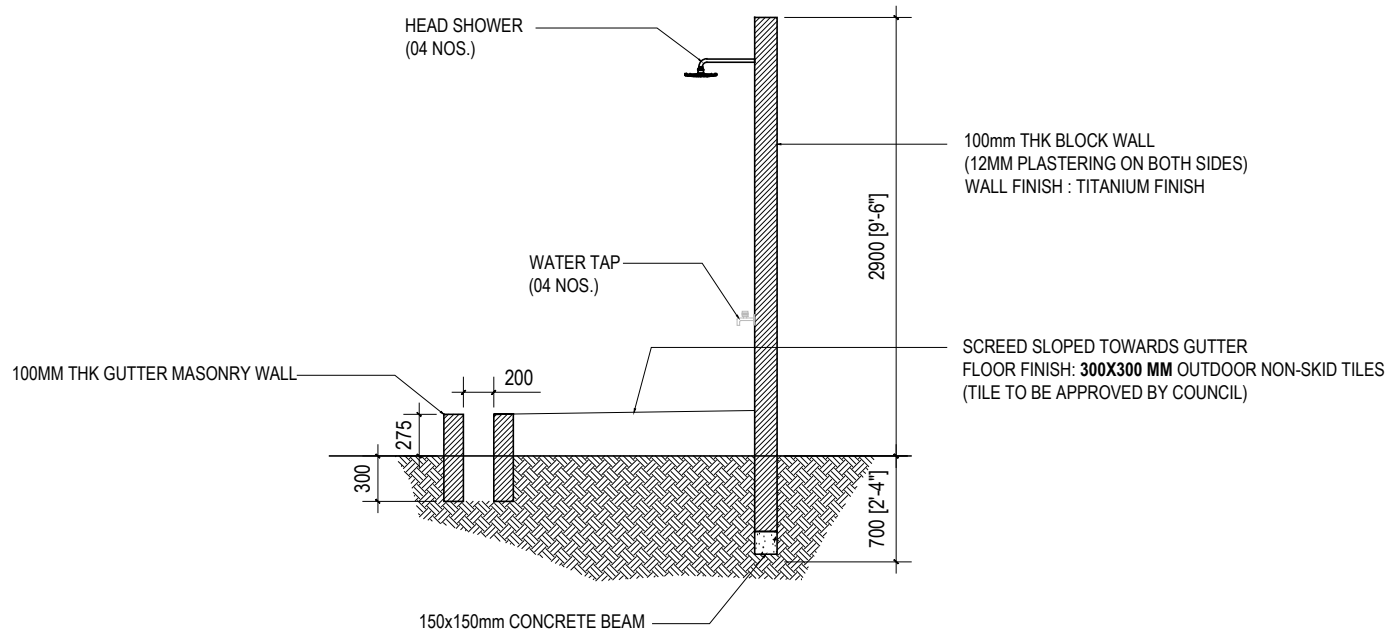




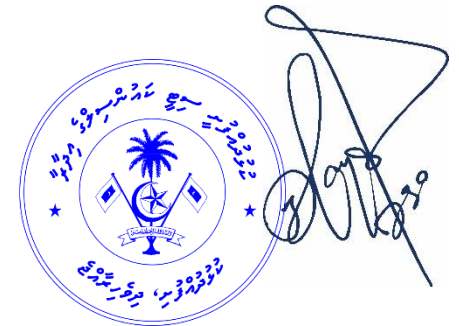
SHOWER-ELEVATION  
SCALE 1:50



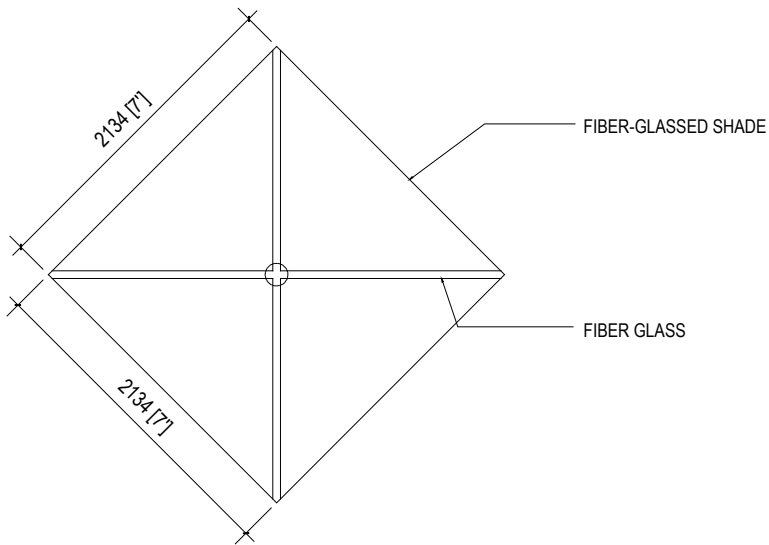
SECRETARIAT OF THE KULHUDHUFFUSHI CITY COUNCIL AMEENEE MAGU, KULHUDHUFFUSHI CITY, 02110, REP. OF MALDIVES TEL: 1621 EMAIL: info@kulhudhuffushicity.gov.mv	SHEET TITLE: SHOWER DRAWINGS	PROJECT: BOAZIYAARAIY BEACH DEVELOPMENT	DRAWN BY: ADAM MOHAMED	DATE: 26 OCTOBER 2024	PAGE NO: <b>37</b>
			CHECKED BY: IMRAN AHMED	SCALE: AS GIVEN	



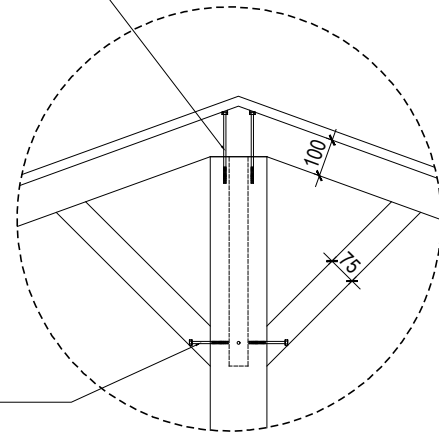
**SHOWER-SECTION**  
SCALE 1:50



SECRETARIAT OF THE KULHUDHUFFUSHI CITY COUNCIL AMEENEE MAGU, KULHUDHUFFUSHI CITY, 02110, REP. OF MALDIVES TEL: 1621 EMAIL: info@kulhudhuffushicity.gov.mv	<b>SHEET TITLE:</b> SHOWER DRAWINGS	<b>PROJECT:</b> BOAZIYAARAIY BEACH DEVELOPMENT	<b>DRAWN BY:</b> ADAM MOHAMED	<b>DATE:</b> 26 OCTOBER 2024	<b>PAGE NO:</b> <b>38</b>
			<b>CHECKED BY:</b> IMRAN AHMED	<b>SCALE:</b> AS GIVEN	

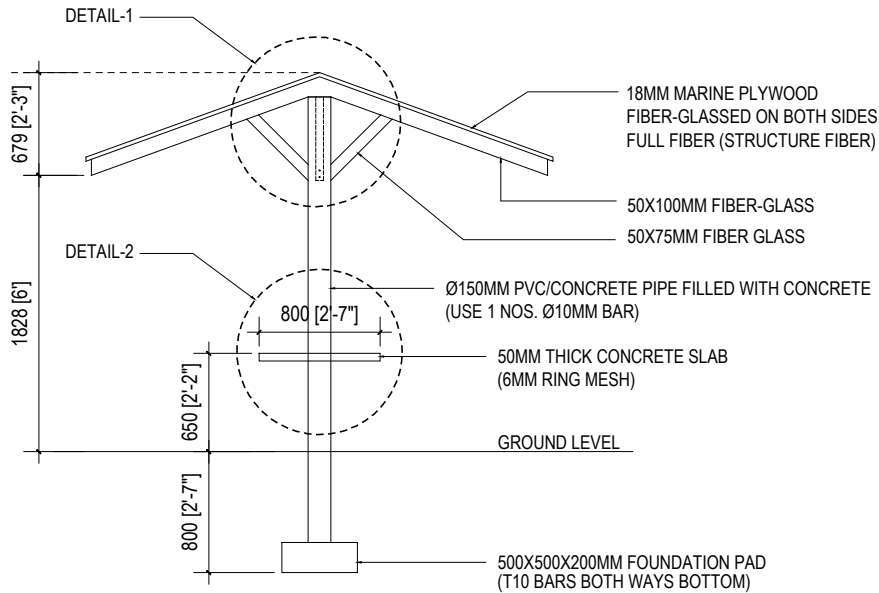


FIBER STRUCTURE FIXED TO CONCRETE COLUMN  
ROD (GALVANIZED) ANCHORED TO COLUMN

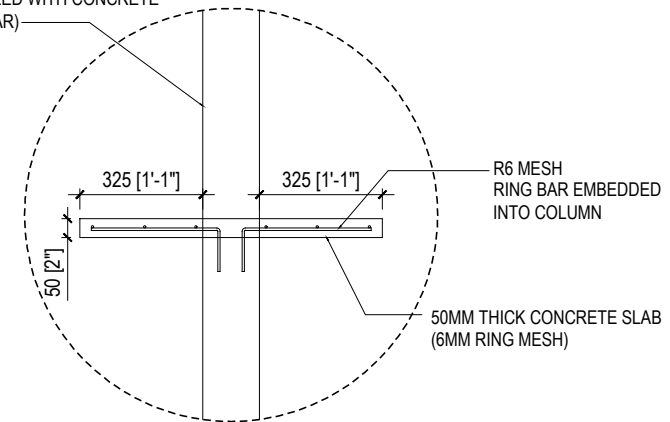


FIBERGLASS BOLTED TO CONCRETE COLUMN  
ROD ANCHORED TO COLUMN

**DETAIL -1**  
SCALE 1:20



Ø150MM PVC PIPE FILLED WITH CONCRETE  
(USE 1 NOS. Ø10MM BAR)

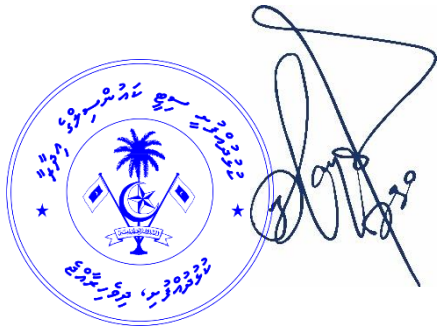
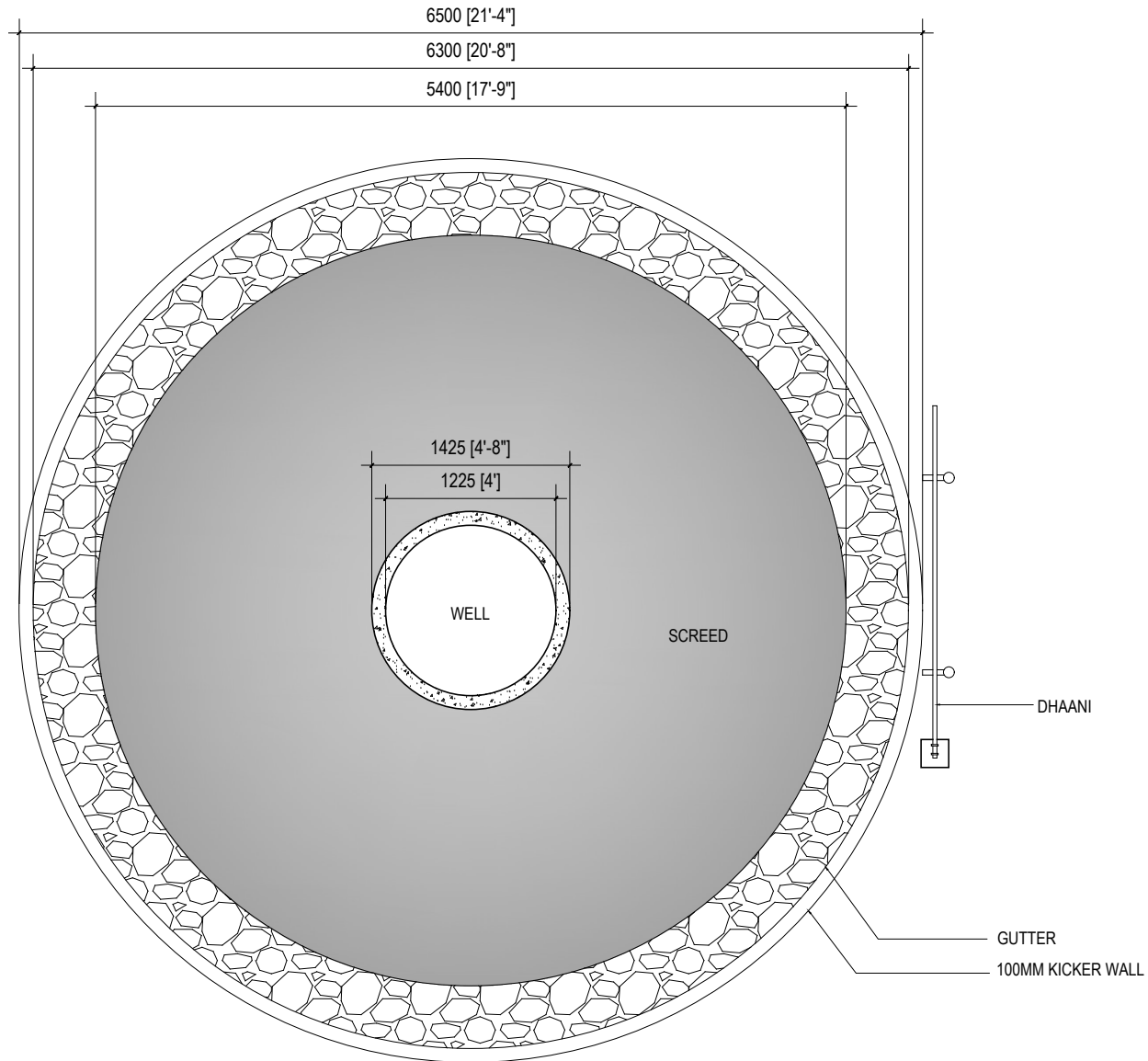


**DETAIL -2**  
SCALE 1:20

**HUT DETAILS**  
SCALE 1:50

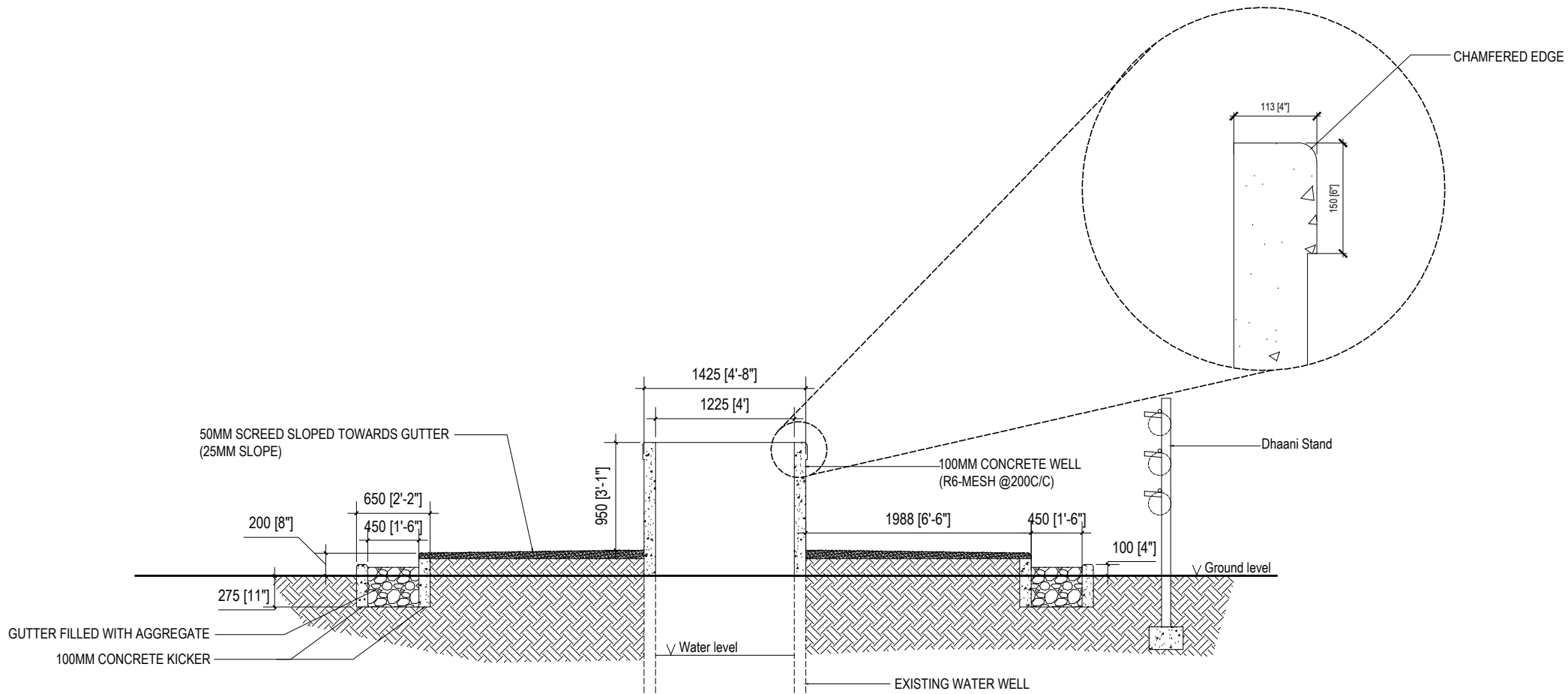


SECRETARIAT OF THE KULHUDHUFFUSHI CITY COUNCIL AMEENE MAGU, KULHUDHUFFUSHI CITY, 02110, REP. OF MALDIVES TEL: 1621 EMAIL: info@kulhudhuffushicity.gov.mv	<b>SHEET TITLE:</b> BEACH HUT DRAWINGS	<b>PROJECT:</b> BOAZIYAARAIY BEACH DEVELOPMENT	<b>DRAWN BY:</b> ADAM MOHAMED	<b>DATE:</b> 26 OCTOBER 2024	<b>PAGE NO:</b> <b>39</b>
			<b>CHECKED BY:</b> IMRAN AHMED	<b>SCALE:</b> AS GIVEN	

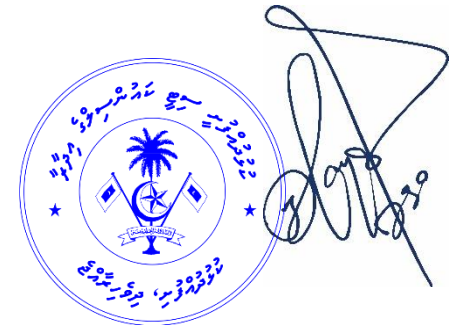


**WATER WELL - PLAN**  
SCALE 1:50

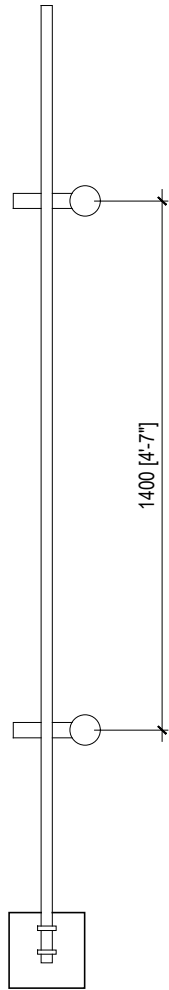
SECRETARIAT OF THE KULHUDHUFFUSHI CITY COUNCIL AMEENEE MAGU, KULHUDHUFFUSHI CITY, 02110, REP. OF MALDIVES TEL: 1621 EMAIL: info@kulhudhuffushicity.gov.mv	SHEET TITLE: WELL DRAWINGS	PROJECT: BOAZIYAARAIY BEACH DEVELOPMENT	DRAWN BY: ADAM MOHAMED	DATE: 26 OCTOBER 2024	PAGE NO: <b>40</b>
			CHECKED BY: IMRAN AHMED	SCALE: AS GIVEN	



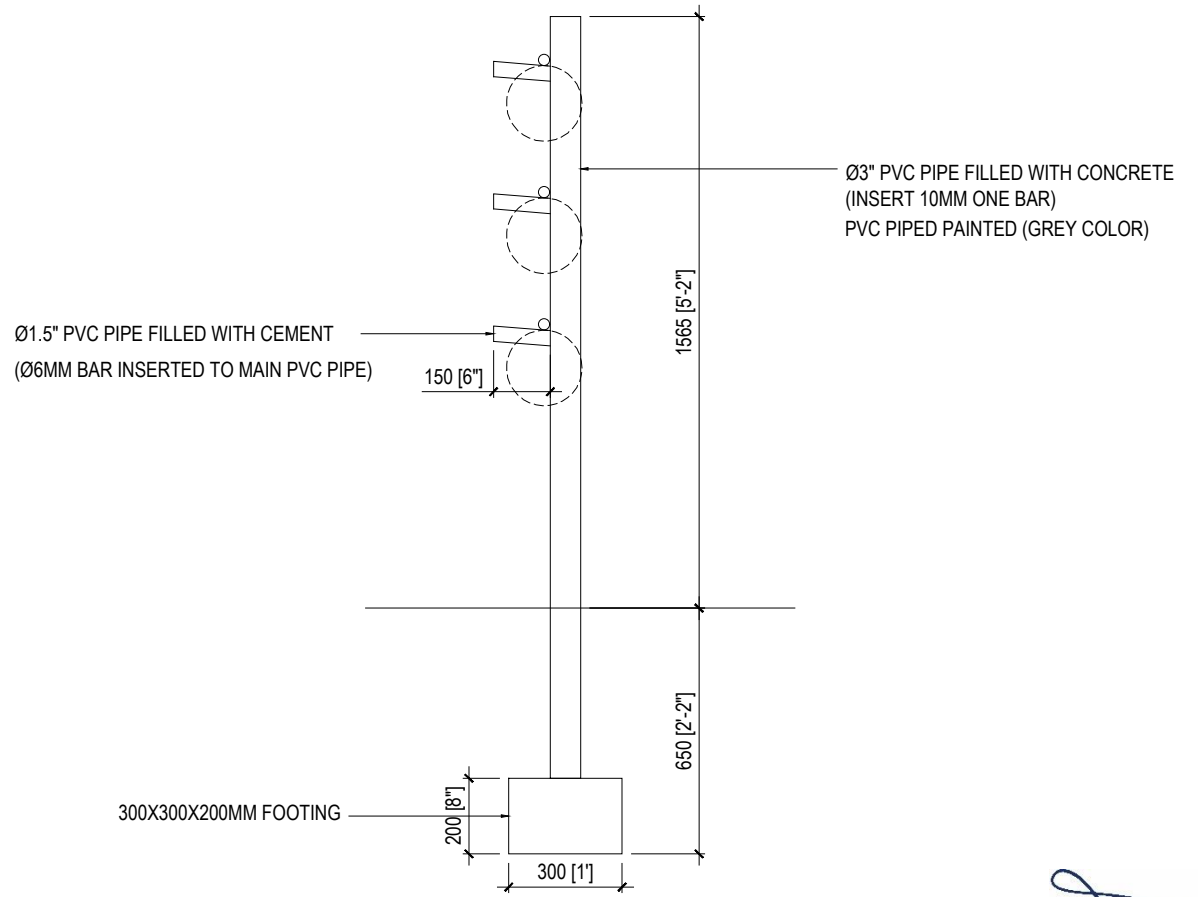
**WATER WELL- SECTION**  
SCALE 1:50



SECRETARIAT OF THE KULHUDHUFFUSHI CITY COUNCIL AMEENEE MAGU, KULHUDHUFFUSHI CITY, 02110, REP. OF MALDIVES TEL: 1621 EMAIL: info@kulhudhuffushicity.gov.mv	<b>SHEET TITLE:</b> WELL DRAWINGS	<b>PROJECT:</b> BOAZIYAARAIY BEACH DEVELOPMENT	<b>DRAWN BY:</b> ADAM MOHAMED	<b>DATE:</b> 26 OCTOBER 2024	<b>PAGE NO:</b>  <b>41</b>
			<b>CHECKED BY:</b> IMRAN AHMED	<b>SCALE:</b> AS GIVEN	



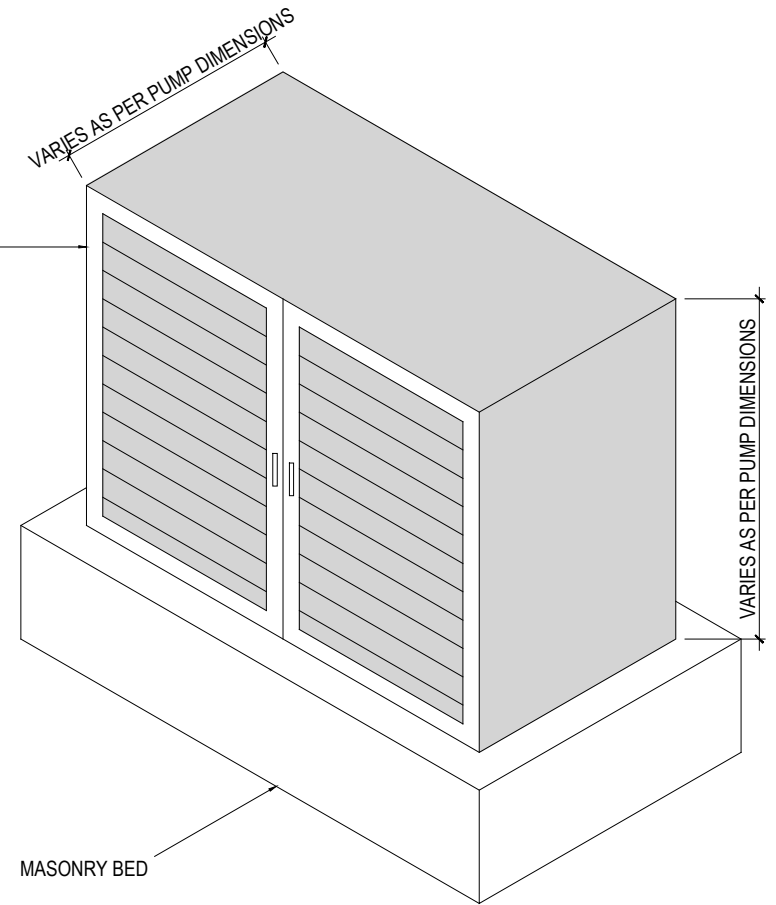
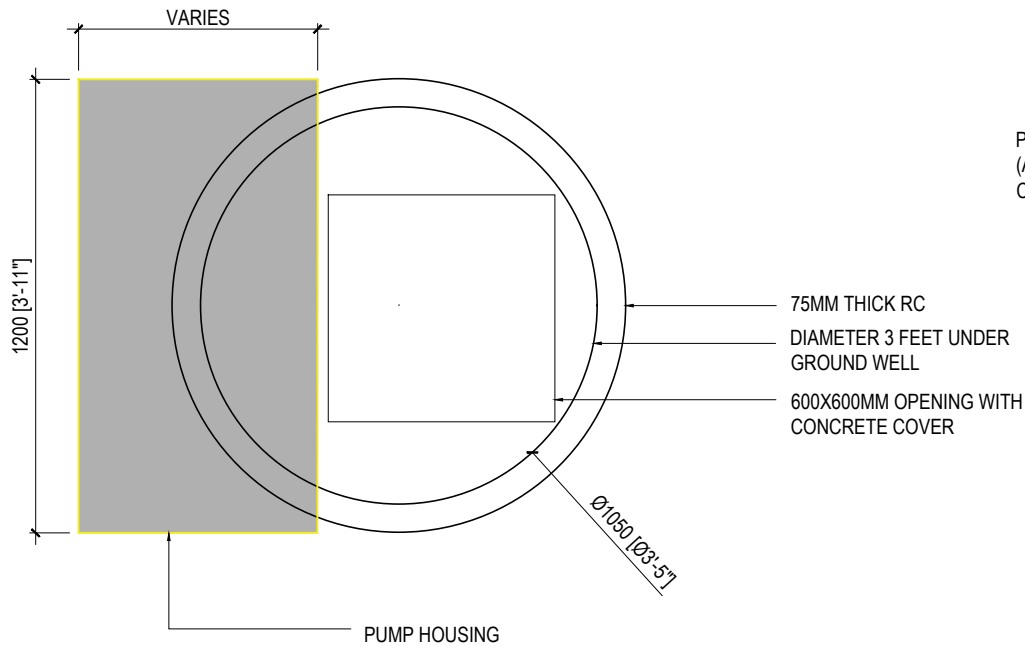
"DHAANI" STAND-PLAN  
SCALE 1:20



"DHAANI" STAND-SECTION  
SCALE 1:20



SECRETARIAT OF THE KULHUDHUFFUSHI CITY COUNCIL AMEENEE MAGU, KULHUDHUFFUSHI CITY, 02110, REP. OF MALDIVES TEL: 1621 EMAIL: info@kulhudhuffushicity.gov.mv	SHEET TITLE: WELL DRAWINGS	PROJECT: BOAZIYAARAIY BEACH DEVELOPMENT	DRAWN BY: ADAM MOHAMED	DATE: 26 OCTOBER 2024	PAGE NO: <b>42</b>
			CHECKED BY: IMRAN AHMED	SCALE: AS GIVEN	

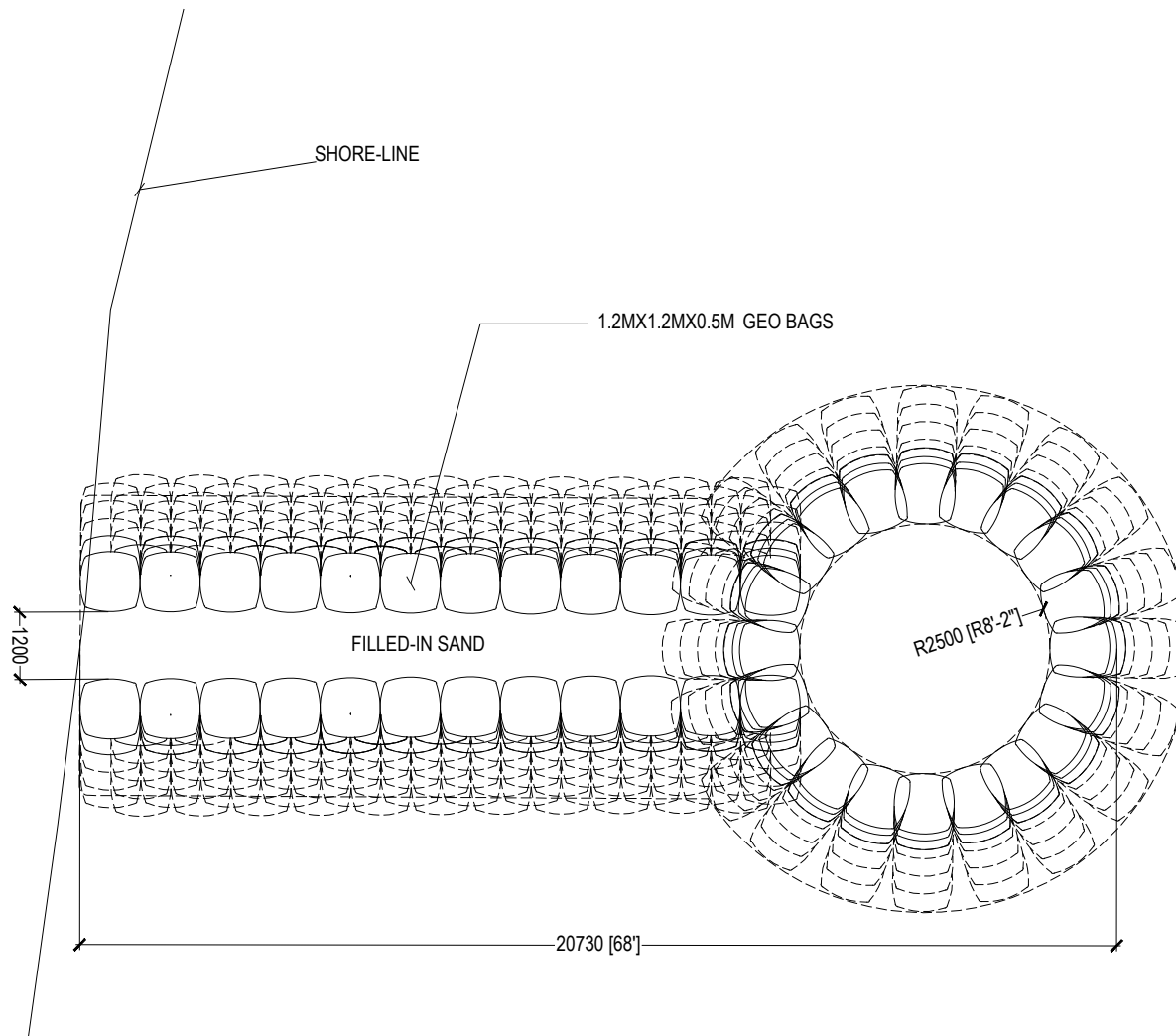


**WELL 2-PLAN**  
SCALE 1:20

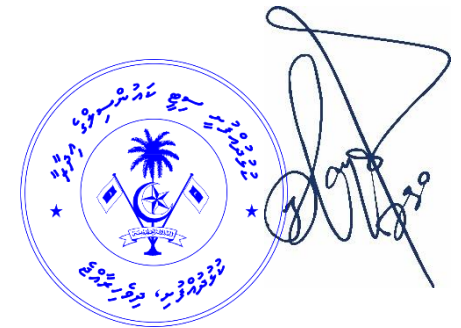
**PUMP HOUSING DETAIL**  
SCALE 1:20



<p>SECRETARIAT OF THE KULHUDHUFFUSHI CITY COUNCIL AMEENEE MAGU, KULHUDHUFFUSHI CITY, 02110, REP. OF MALDIVES TEL: 1621 EMAIL: info@kulhudhuffushicity.gov.mv</p>	<p><b>SHEET TITLE:</b> WELL DRAWINGS</p>	<p><b>PROJECT:</b> BOAZIYAARAIY BEACH DEVELOPMENT</p>	<p><b>DRAWN BY:</b> ADAM MOHAMED</p> <p><b>CHECKED BY:</b> IMRAN AHMED</p>	<p><b>DATE:</b> 26 OCTOBER 2024</p> <p><b>SCALE:</b> AS GIVEN</p>	<p><b>PAGE NO:</b> <b>43</b></p>
--	--	---	--	---	--------------------------------------

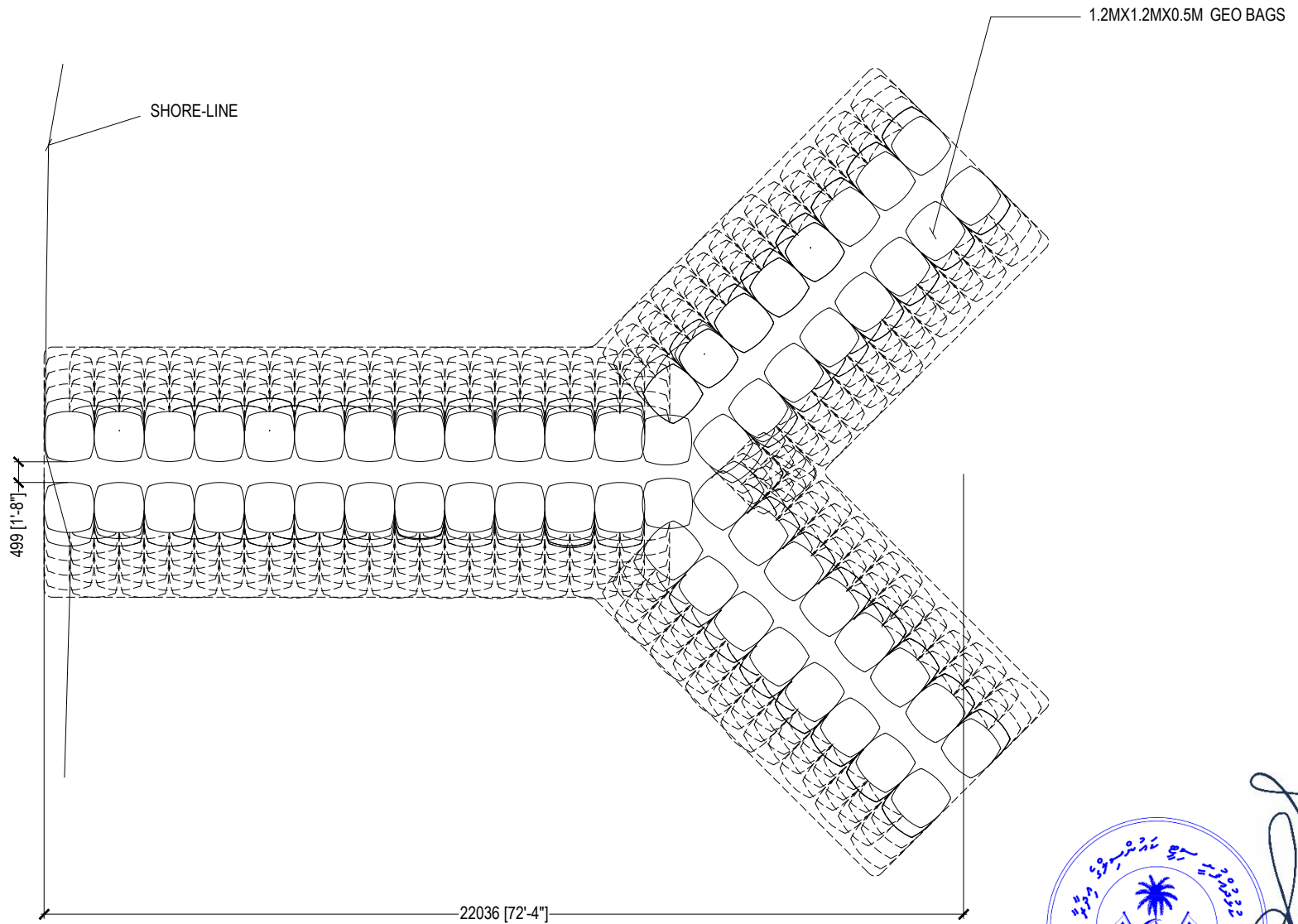


**GROYNE (TYPE A) DETAILS**  
SCALE 1:150



SECRETARIAT OF THE KULHUDHUFFUSHI CITY COUNCIL AMEENEE MAGU, KULHUDHUFFUSHI CITY, 02110, REP. OF MALDIVES TEL: 1621 EMAIL: info@kulhudhuffushicity.gov.mv	<b>SHEET TITLE:</b> GROYNE DRAWINGS	<b>PROJECT:</b> BOAZIYAARAIY BEACH DEVELOPMENT	<b>DRAWN BY:</b> ADAM MOHAMED	<b>DATE:</b> 26 OCTOBER 2024	<b>PAGE NO:</b>  <b>44</b>
			<b>CHECKED BY:</b> IMRAN AHMED	<b>SCALE:</b> AS GIVEN	

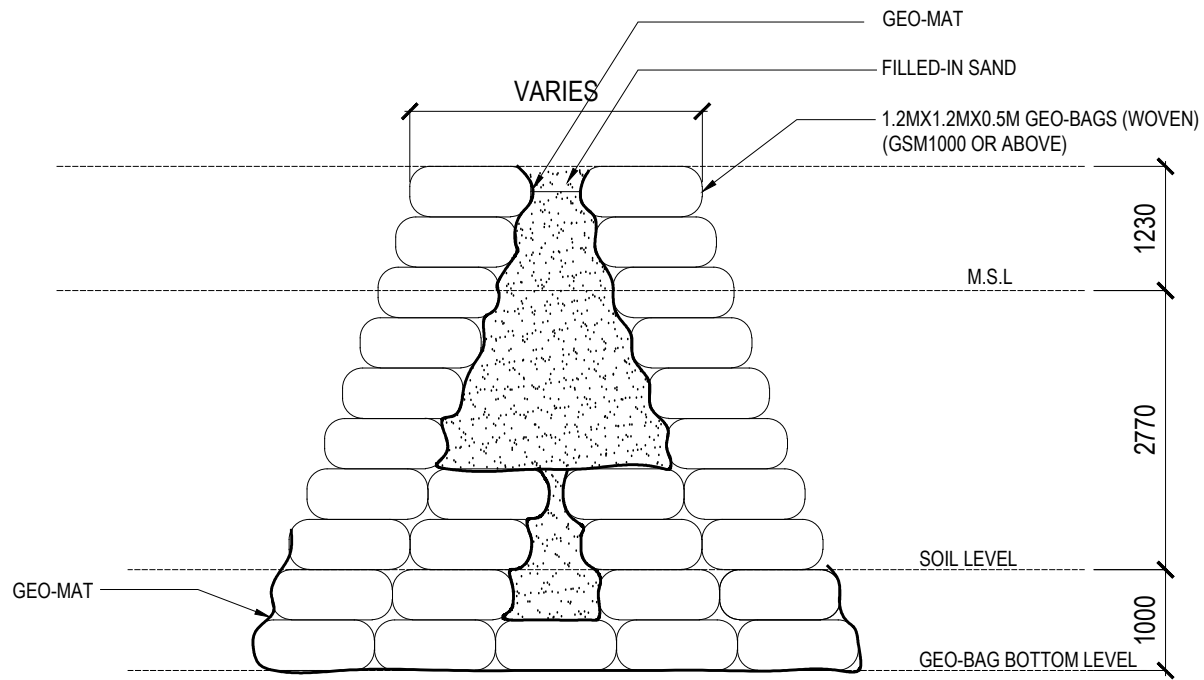




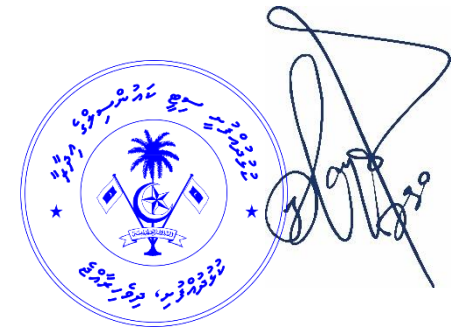
**GROYNE (TYPE B) DETAILS**  
SCALE 1:150



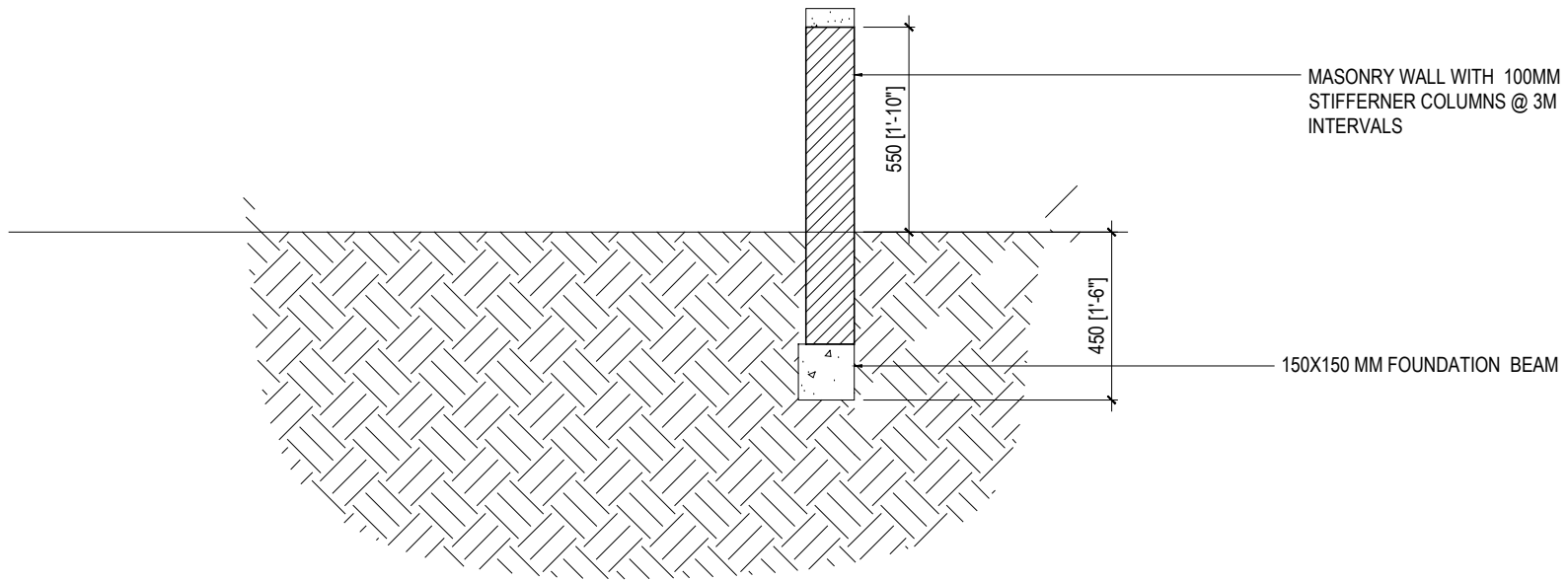
SECRETARIAT OF THE KULHUDHUFFUSHI CITY COUNCIL AMEENEE MAGU, KULHUDHUFFUSHI CITY, 02110, REP. OF MALDIVES TEL: 1621 EMAIL: info@kulhudhuffushicity.gov.mv	<b>SHEET TITLE:</b> GROYNE DRAWINGS	<b>PROJECT:</b> BOAZIYAARAIY BEACH DEVELOPMENT	<b>DRAWN BY:</b> ADAM MOHAMED	<b>DATE:</b> 26 OCTOBER 2024	<b>PAGE NO:</b>  <b>45</b>
			<b>CHECKED BY:</b> IMRAN AHMED	<b>SCALE:</b> AS GIVEN	



**GROYNE DETAIL SECTION**  
SCALE 1:75



SECRETARIAT OF THE KULHUDHUFFUSHI CITY COUNCIL AMEENEE MAGU, KULHUDHUFFUSHI CITY, 02110, REP. OF MALDIVES TEL: 1621 EMAIL: info@kulhudhuffushicity.gov.mv	<b>SHEET TITLE:</b> GROYNE DRAWINGS	<b>PROJECT:</b> BOAZIYAARAIY BEACH DEVELOPMENT	<b>DRAWN BY:</b> ADAM MOHAMED	<b>DATE:</b> 26 OCTOBER 2024	<b>PAGE NO:</b> <b>46</b>
			<b>CHECKED BY:</b> IMRAN AHMED	<b>SCALE:</b> AS GIVEN	



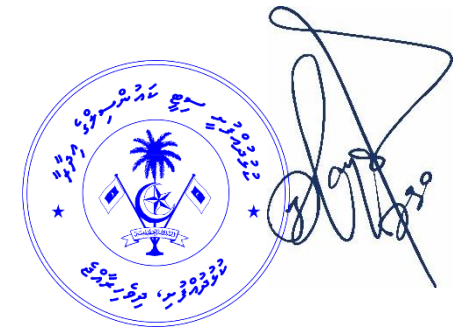
**BOUNDARY WALL-SECTION**

SCALE 1:20

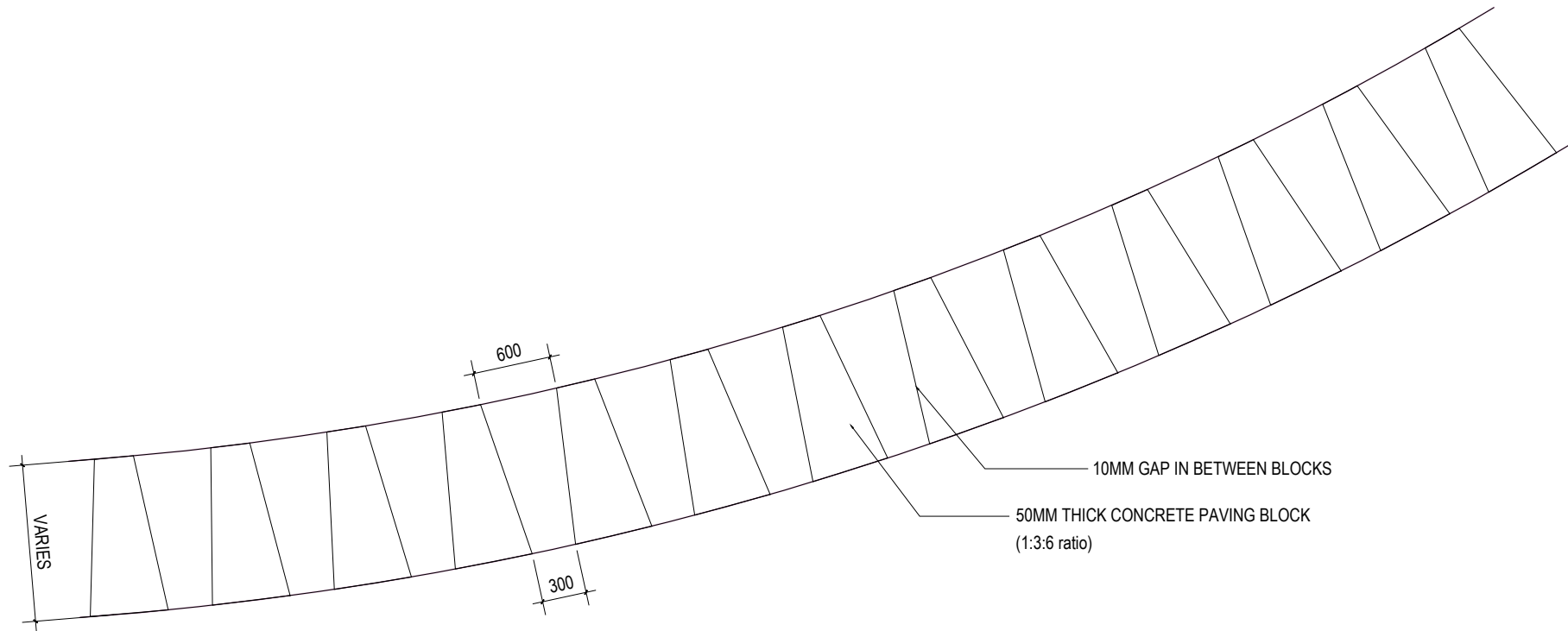


STIFFENER COLUMN

FOUNDATION BEAM



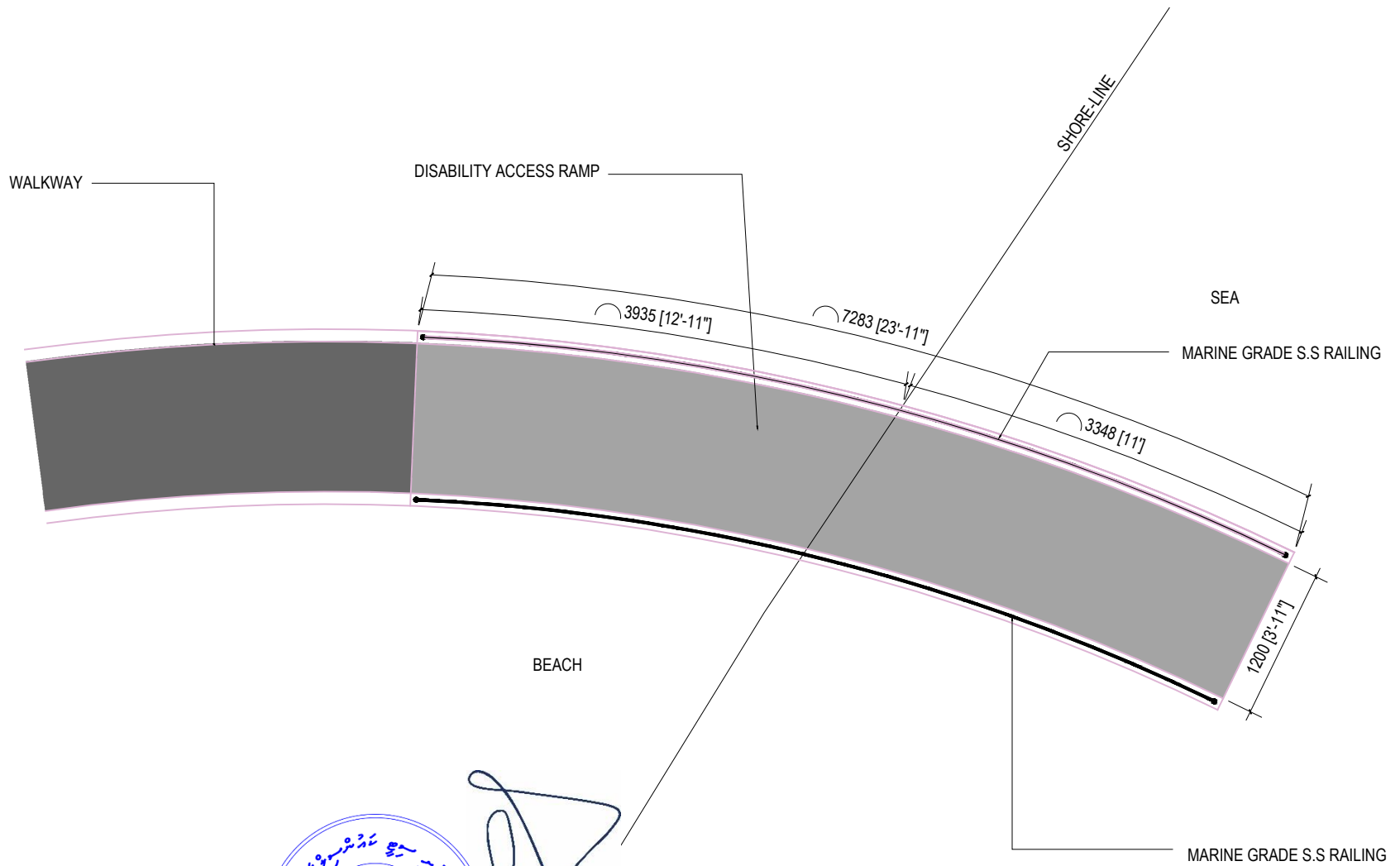
SECRETARIAT OF THE KULHUDHUFFUSHI CITY COUNCIL AMEENEE MAGU, KULHUDHUFFUSHI CITY, 02110, REP. OF MALDIVES TEL: 1621 EMAIL: info@kulhudhuffushicity.gov.mv	<b>SHEET TITLE:</b> BOUNDARY WALL DRAWINGS	<b>PROJECT:</b> BOAZIYAARAIY BEACH DEVELOPMENT	<b>DRAWN BY:</b> ADAM MOHAMED	<b>DATE:</b> 26 OCTOBER 2024	<b>PAGE NO:</b>  <b>47</b>
			<b>CHECKED BY:</b> IMRAN AHMED	<b>SCALE:</b> AS GIVEN	



**WALK-WAY PLAN**  
SCALE 1:50



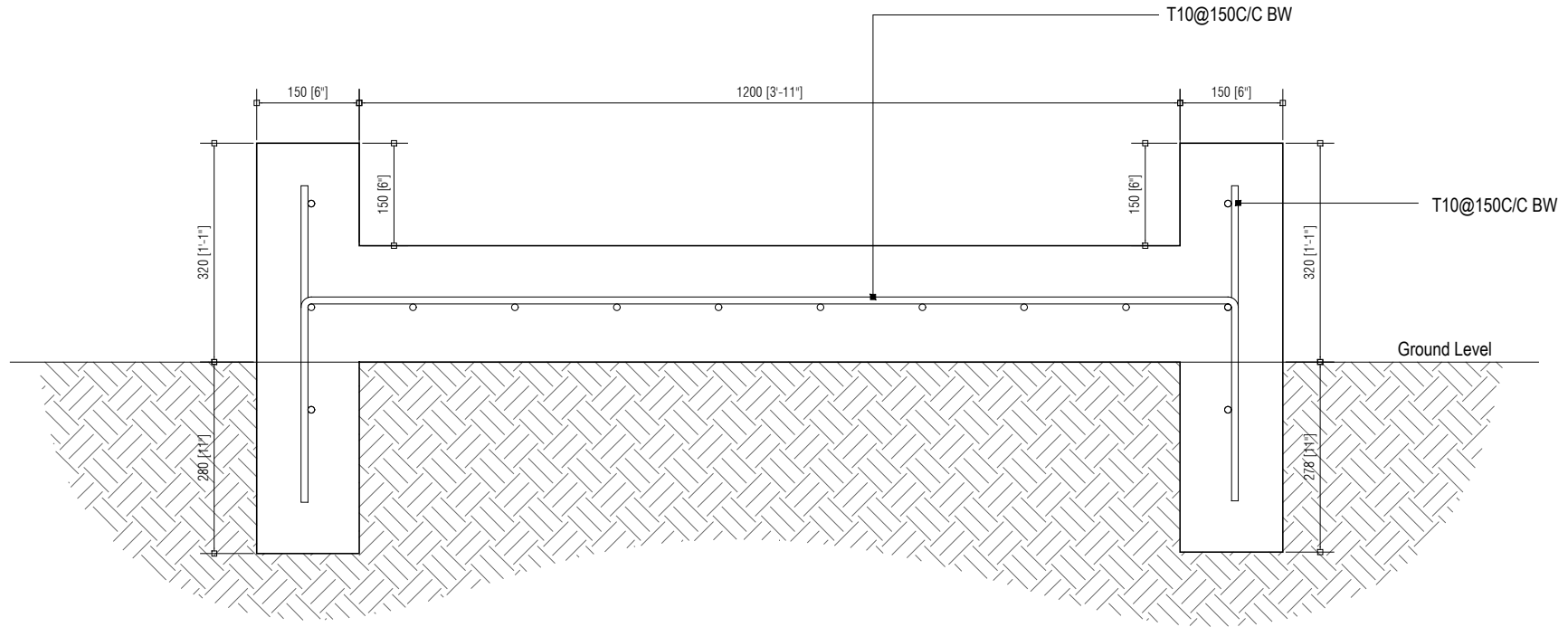
SECRETARIAT OF THE KULHUDHUFFUSHI CITY COUNCIL AMEENEE MAGU, KULHUDHUFFUSHI CITY, 02110, REP. OF MALDIVES TEL: 1621 EMAIL: info@kulhudhuffushicity.gov.mv	<b>SHEET TITLE:</b> WALK-WAY DRAWINGS	<b>PROJECT:</b> BOAZIYAARAIY BEACH DEVELOPMENT	<b>DRAWN BY:</b> ADAM MOHAMED	<b>DATE:</b> 26 OCTOBER 2024	<b>PAGE NO:</b> <b>48</b>
			<b>CHECKED BY:</b> IMRAN AHMED	<b>SCALE:</b> AS GIVEN	



**DISABILITY ACCESS RAMP**  
SCALE 1:50



<p>SECRETARIAT OF THE KULHUDHUFFUSHI CITY COUNCIL AMEENEE MAGU, KULHUDHUFFUSHI CITY, 02110, REP. OF MALDIVES TEL: 1621 EMAIL: info@kulhudhuffushicity.gov.mv</p>	<p><b>SHEET TITLE:</b> DISABILITY ACCESS RAMP DRAWINGS</p>	<p><b>PROJECT:</b> BOAZIYAARAIY BEACH DEVELOPMENT</p>	<p><b>DRAWN BY:</b> ADAM MOHAMED</p> <p><b>CHECKED BY:</b> IMRAN AHMED</p>	<p><b>DATE:</b> 26 OCTOBER 2024</p> <p><b>SCALE:</b> AS GIVEN</p>	<p><b>PAGE NO:</b> <b>49</b></p>
--	--	---	--	---	--------------------------------------

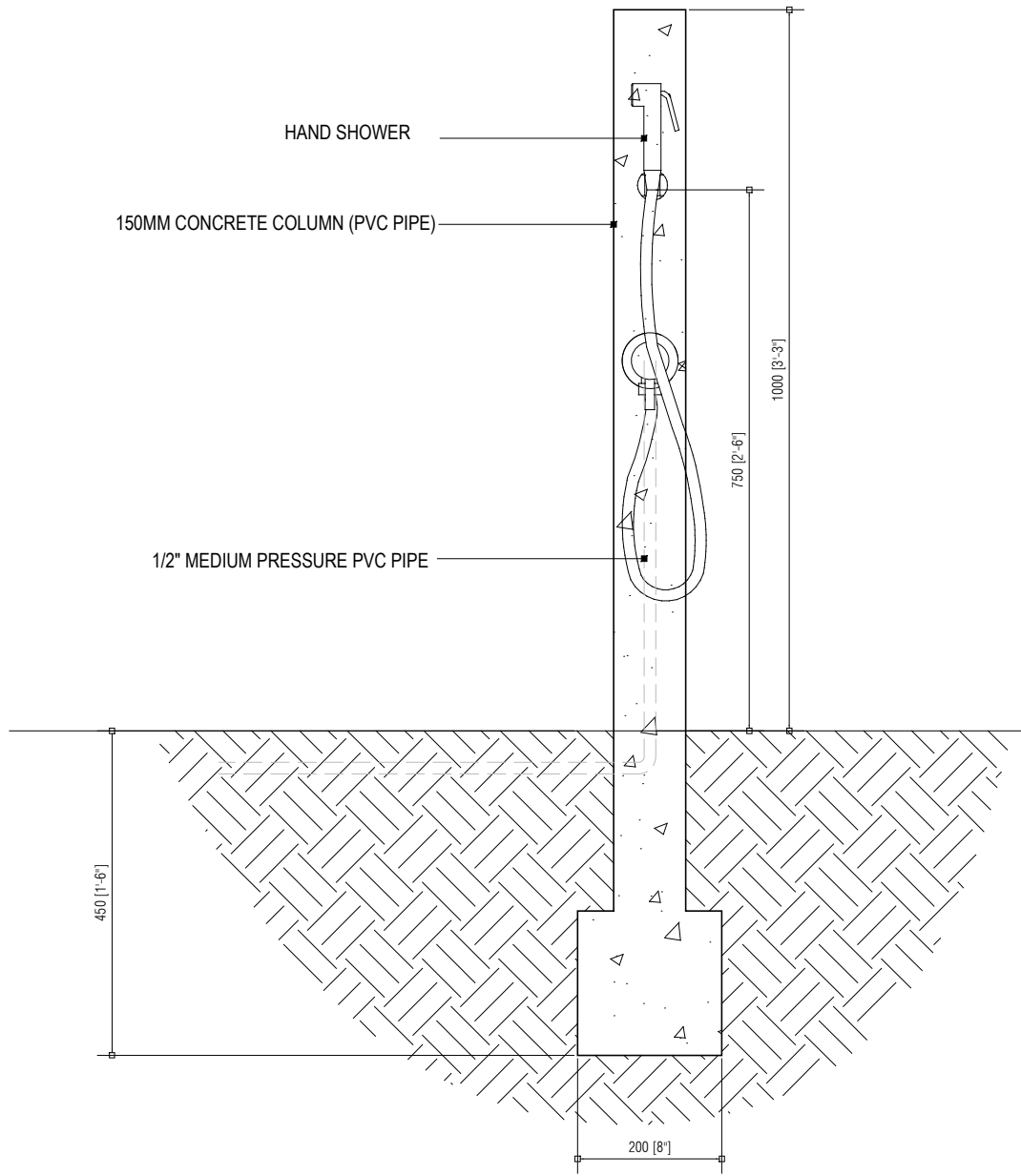


**DESABILITY ACCESS RAMP -SECTION**  
SCALE 1:10



*(Handwritten signature)*

<p>SECRETARIAT OF THE KULHUDHUFFUSHI CITY COUNCIL AMEENE MAGU, KULHUDHUFFUSHI CITY, 02110, REP. OF MALDIVES TEL: 1621 EMAIL: info@kulhudhuffushicity.gov.mv</p>	<p><b>SHEET TITLE:</b> DISABILITY ACCESS RAMP DRAWINGS</p>	<p><b>PROJECT:</b> BOAZIYAARAIY BEACH DEVELOPMENT</p>	<p><b>DRAWN BY:</b> ADAM MOHAMED</p> <p><b>CHECKED BY:</b> IMRAN AHMED</p>	<p><b>DATE:</b> 26 OCTOBER 2024</p> <p><b>SCALE:</b> AS GIVEN</p>	<p><b>PAGE NO:</b> <b>50</b></p>
---	--	---	--	---	--------------------------------------



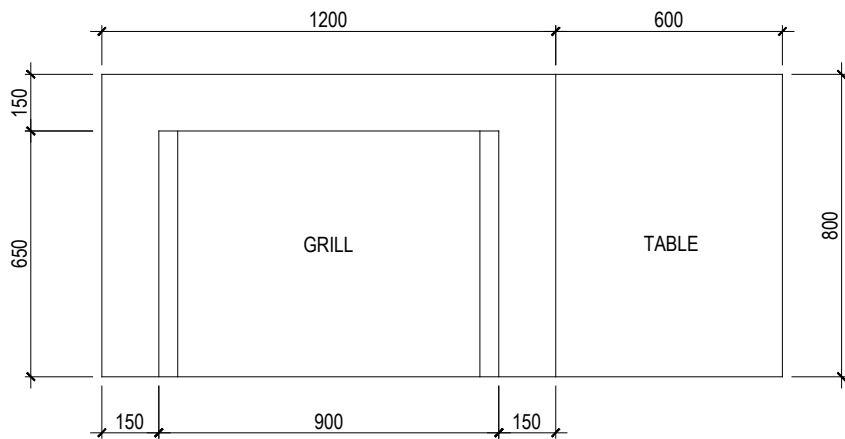
"FEN MUDI" DETAIL

SCALE 1:10

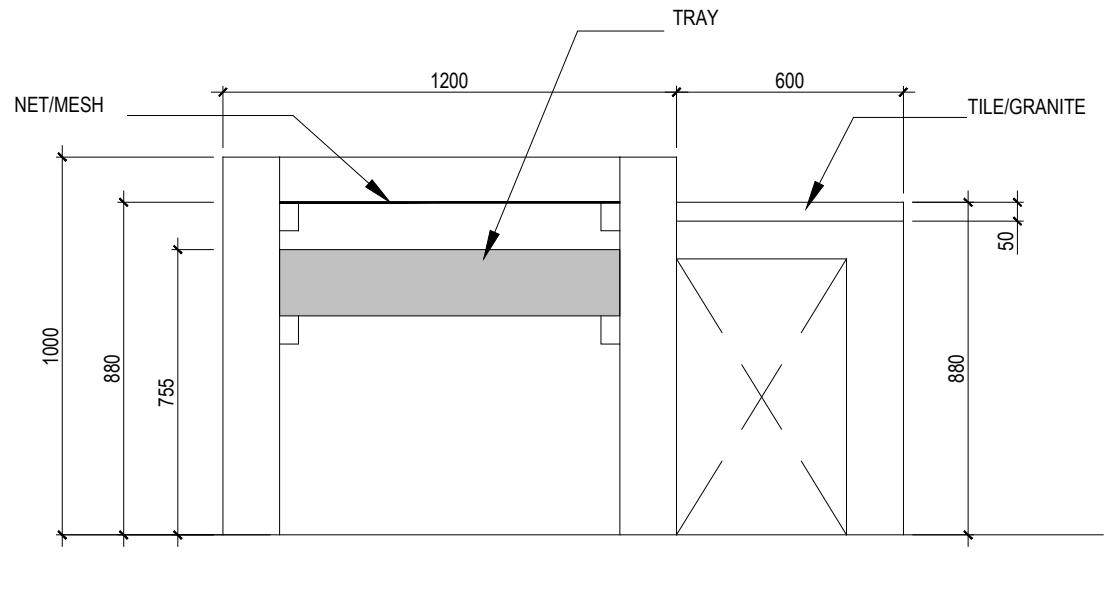


*[Handwritten signature]*

<p>SECRETARIAT OF THE KULHUDHUFFUSHI CITY COUNCIL          AMEENEE MAGU, KULHUDHUFFUSHI CITY, 02110, REP. OF MALDIVES          TEL: 1621 EMAIL: info@kulhudhuffushicity.gov.mv</p>	<p><b>SHEET TITLE:</b>          FEN MUDI DRAWINGS</p>	<p><b>PROJECT:</b>          BOAZIYAARAIY BEACH DEVELOPMENT</p>	<p><b>DRAWN BY:</b>          ADAM MOHAMED</p> <p><b>CHECKED BY:</b>          IMRAN AHMED</p>	<p><b>DATE:</b> 26 OCTOBER 2024</p> <p><b>SCALE:</b> AS GIVEN</p>	<p><b>PAGE NO:</b>          51</p>
--	---	--	--	---	--

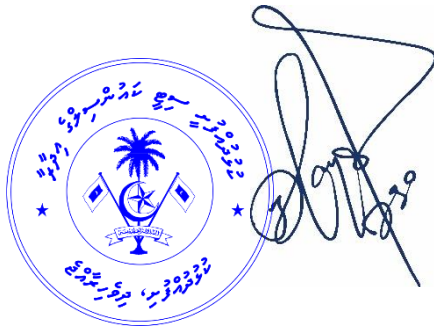


**BBQ GRILL -PLAN**  
SCALE 1:20



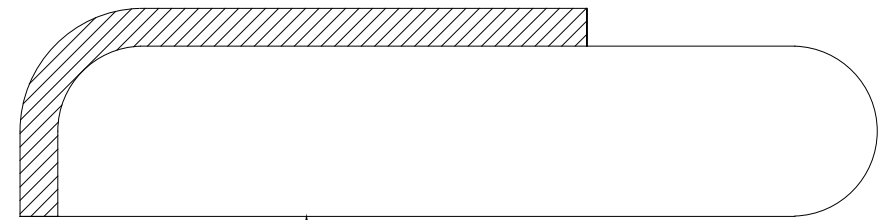
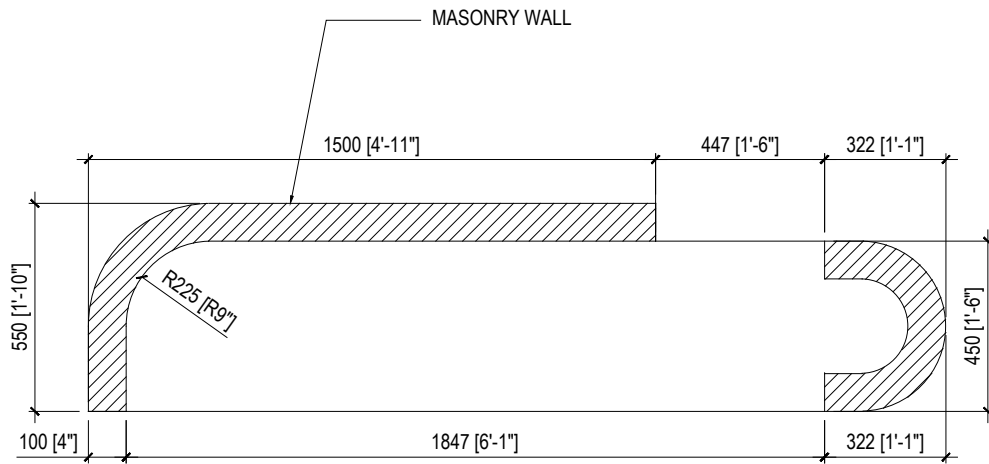
**BBQ GRILL -ELEVATION**  
SCALE 1:20

NOTE: ALL MASONRY USING HEAT TREATED CLAY-BRICKS AND CEMENT



<p>SECRETARIAT OF THE KULHUDHUFFUSHI CITY COUNCIL AMEENEE MAGU, KULHUDHUFFUSHI CITY, 02110, REP. OF MALDIVES TEL: 1621 EMAIL: info@kulhudhuffushicity.gov.mv</p>	<p><b>SHEET TITLE:</b> BBQ GRILL DRAWINGS</p>	<p><b>PROJECT:</b> BOAZIYAARAIY BEACH DEVELOPMENT</p>	<p><b>DRAWN BY:</b> ADAM MOHAMED</p> <p><b>CHECKED BY:</b> IMRAN AHMED</p>	<p><b>DATE:</b> 26 OCTOBER 2024</p> <p><b>SCALE:</b> AS GIVEN</p>	<p><b>PAGE NO:</b> <b>52</b></p>
--	---	---	--	---	--------------------------------------





50mm CONCRETE SLAB  
(R6 MESH @200C/C)  
SLAB EMBEDDED INTO WALL



<p>SECRETARIAT OF THE KULHUDHUFFUSHI CITY COUNCIL AMEENEE MAGU, KULHUDHUFFUSHI CITY, 02110, REP. OF MALDIVES TEL: 1621 EMAIL: info@kulhudhuffushicity.gov.mv</p>	<p><b>SHEET TITLE:</b> CONCRETE BENCH DRAWINGS</p>	<p><b>PROJECT:</b> BOAZIYAARAIY BEACH DEVELOPMENT</p>	<p><b>DRAWN BY:</b> ADAM MOHAMED</p> <p><b>CHECKED BY:</b> IMRAN AHMED</p>	<p><b>DATE:</b> 26 OCTOBER 2024</p> <p><b>SCALE:</b> AS GIVEN</p>	<p><b>PAGE NO:</b> <b>53</b></p>
--	--	---	--	---	--------------------------------------

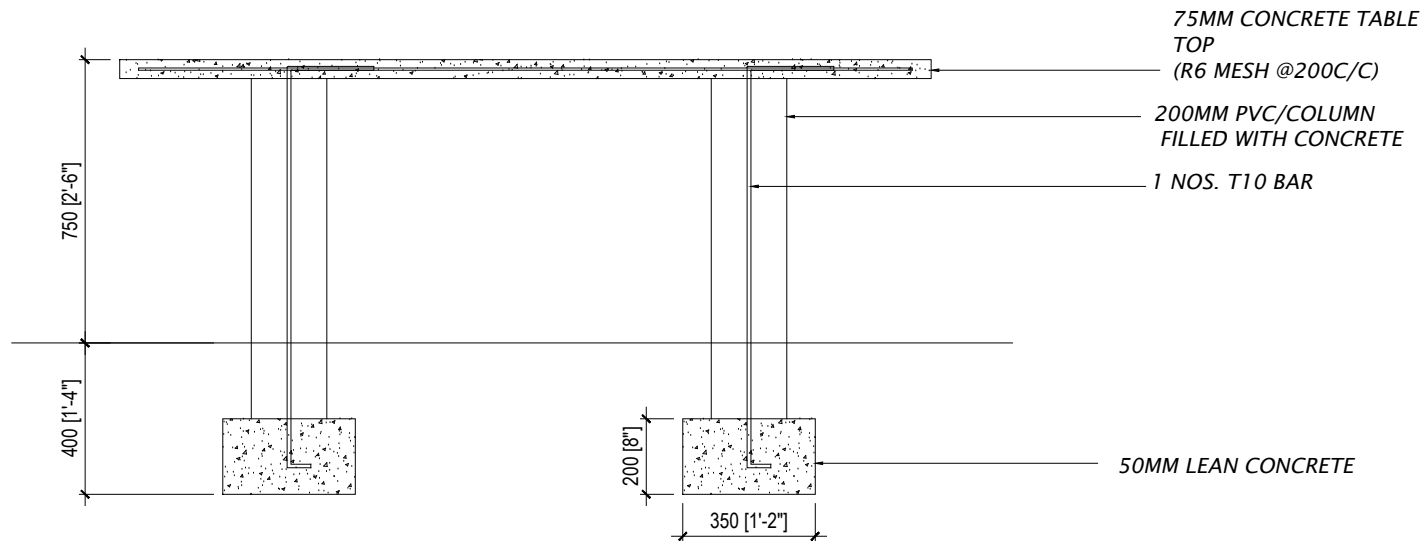
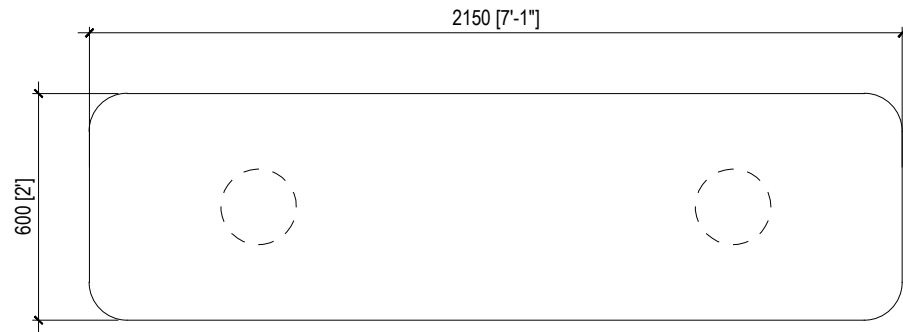
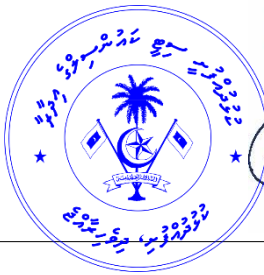
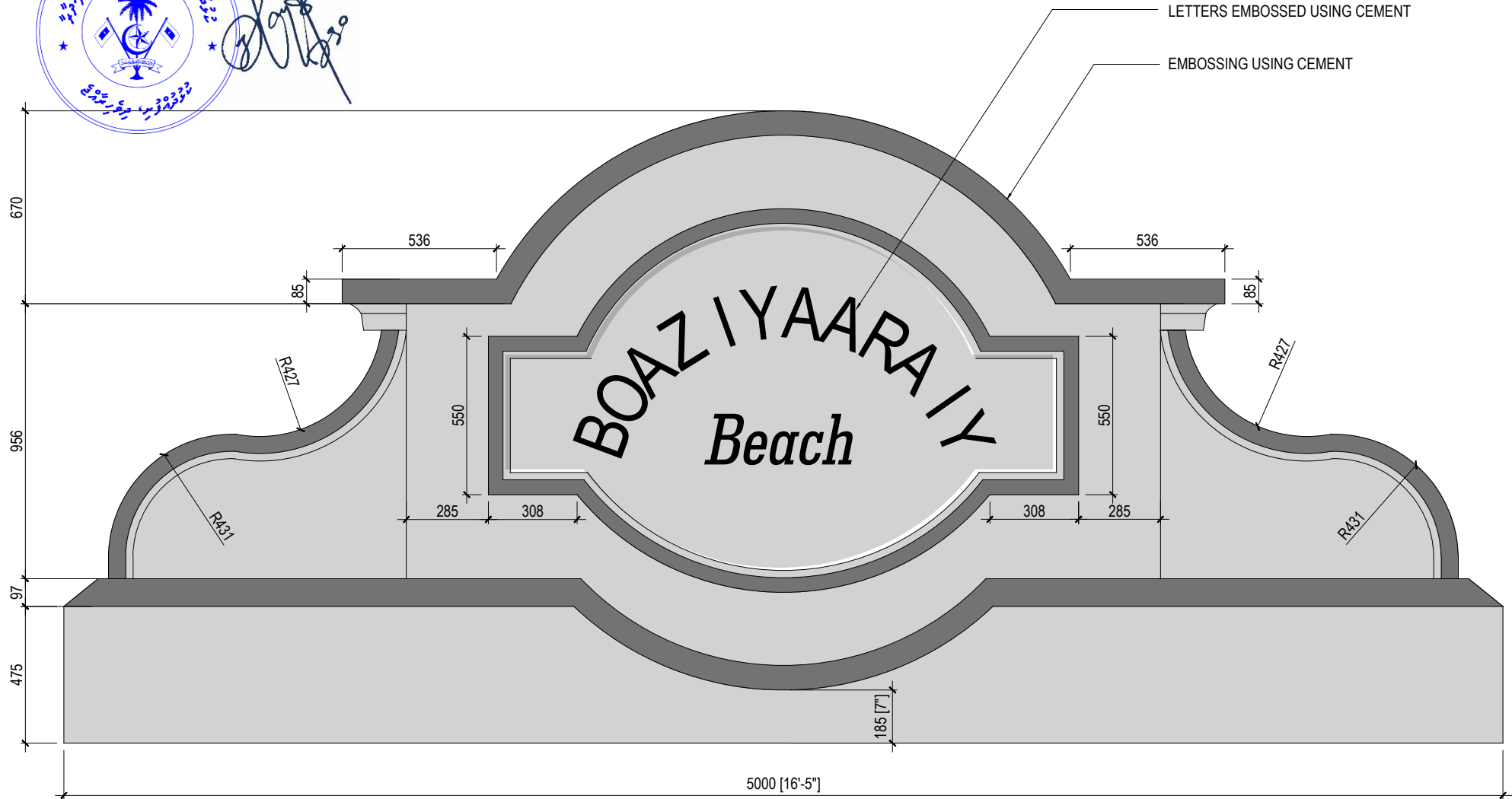


TABLE DETAILS (TYPE-3)  
SCALE 1:20



<p>SECRETARIAT OF THE KULHUDHUFFUSHI CITY COUNCIL AMEENEE MAGU, KULHUDHUFFUSHI CITY, 02110, REP. OF MALDIVES TEL: 1621 EMAIL: info@kulhudhuffushicity.gov.mv</p>	<p><b>SHEET TITLE:</b> CONCRETE TABLE DRAWINGS</p>	<p><b>PROJECT:</b> BOAZIYAARAIY BEACH DEVELOPMENT</p>	<p><b>DRAWN BY:</b> ADAM MOHAMED</p>	<p><b>DATE:</b> 26 OCTOBER 2024</p>	<p><b>PAGE NO:</b> <b>54</b></p>
			<p><b>CHECKED BY:</b> IMRAN AHMED</p>	<p><b>SCALE:</b> AS GIVEN</p>	

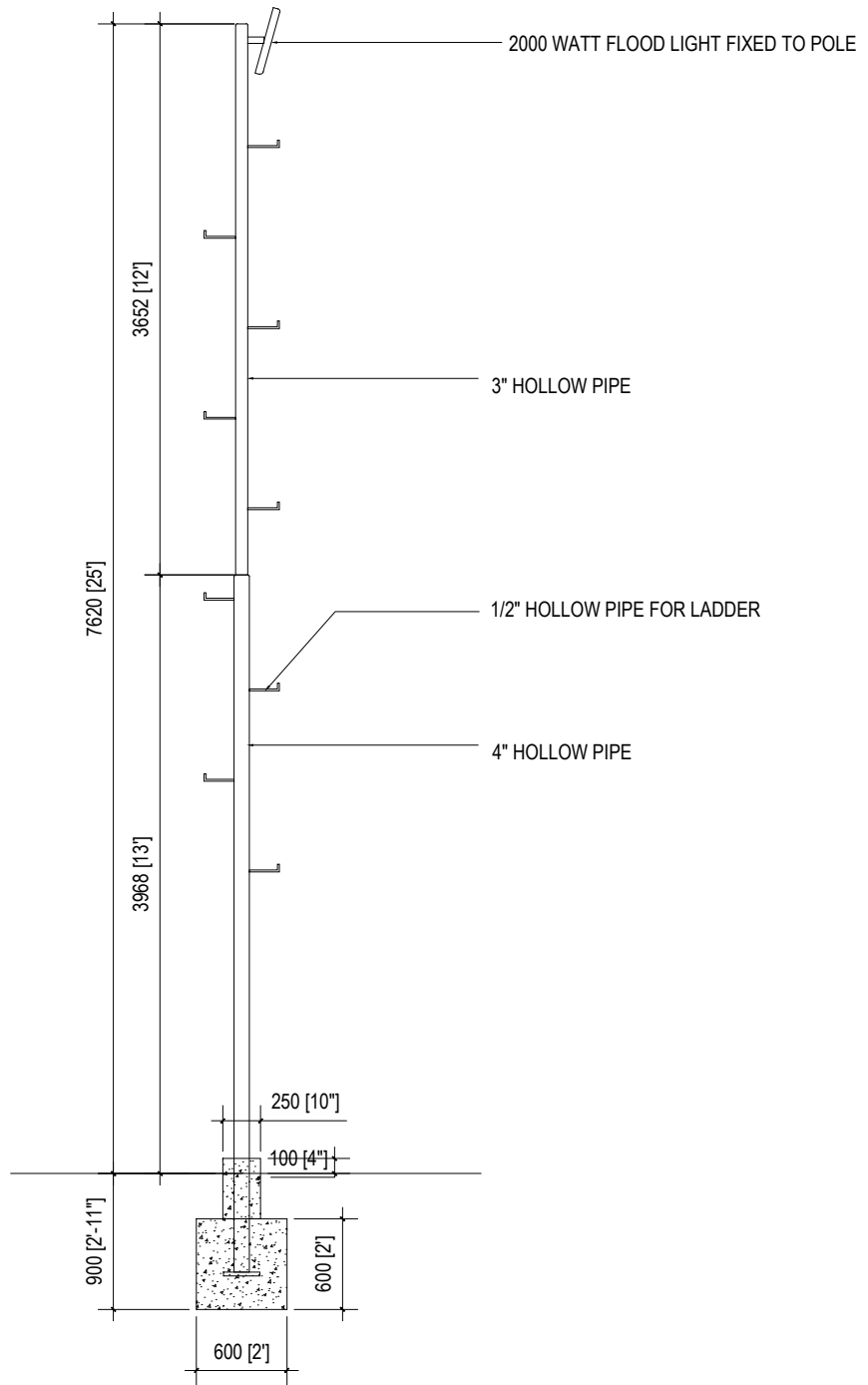



NOTE: MONUMENT CONSTRUCTED USING MASONRY

SECRETARIAT OF THE KULHUDHUFFUSHI CITY COUNCIL AMEENEE MAGU, KULHUDHUFFUSHI CITY, 02110, REP. OF MALDIVES TEL: 1621 EMAIL: info@kulhudhuffushicity.gov.mv	<b>SHEET TITLE:</b> NAME BOARD MONUMENT	<b>PROJECT:</b> BOAZIYAARAIY BEACH DEVELOPMENT	<b>DRAWN BY:</b> ADAM MOHAMED  <b>CHECKED BY:</b> IMRAN AHMED	<b>DATE:</b> 26 OCTOBER 2024  <b>SCALE:</b> AS GIVEN	<b>PAGE NO:</b> <b>55</b>
---	--	---	---	--	------------------------------



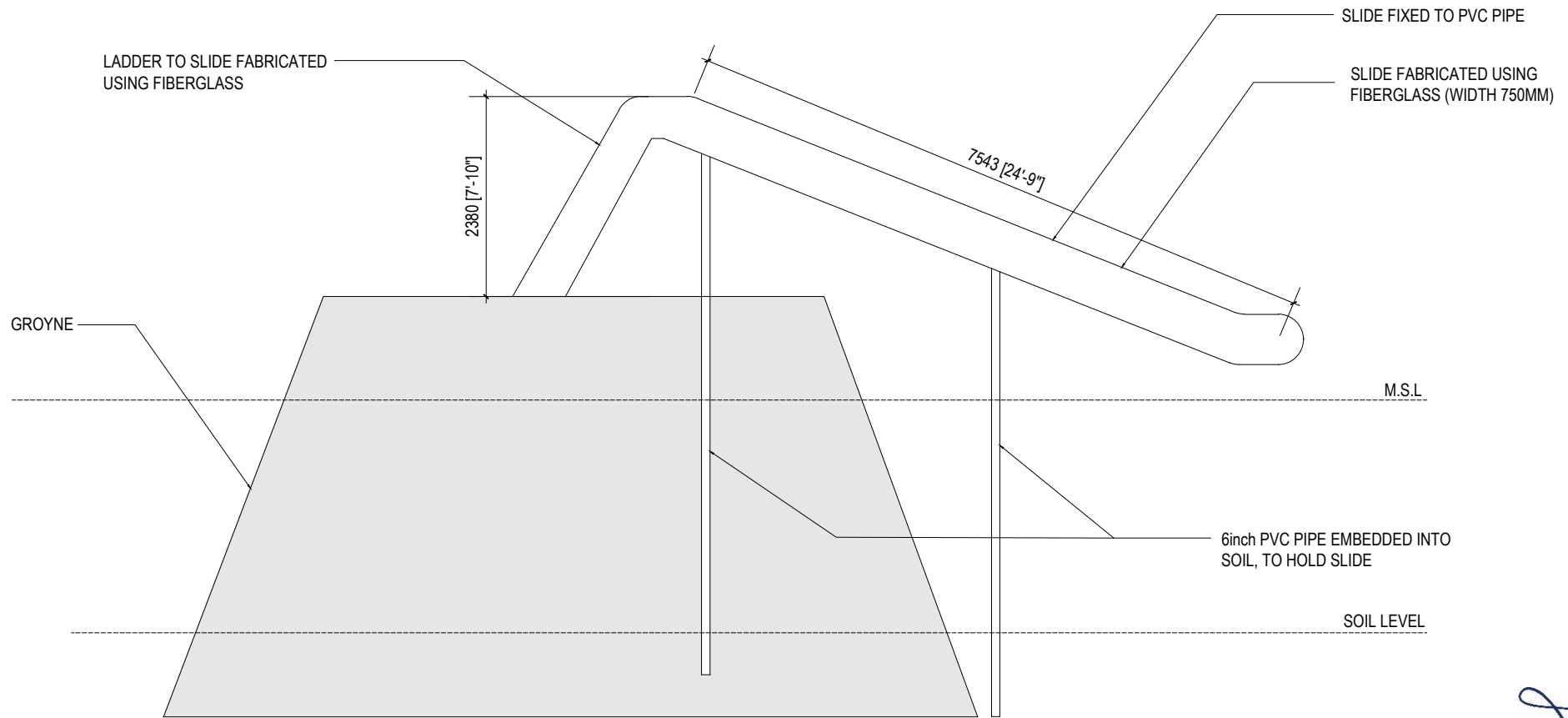
SECRETARIAT OF THE KULHUDHUFFUSHI CITY COUNCIL AMEENEE MAGU, KULHUDHUFFUSHI CITY, 02110, REP. OF MALDIVES TEL: 1621 EMAIL: info@kulhudhuffushicity.gov.mv	SHEET TITLE: NAME BOARD SAMPLE	PROJECT: BOAZIYAARAIY BEACH DEVELOPMENT	DRAWN BY: ADAM MOHAMED	DATE: 26 OCTOBER 2024	PAGE NO: <b>55-1</b>
			CHECKED BY: IMRAN AHMED	SCALE: AS GIVEN	

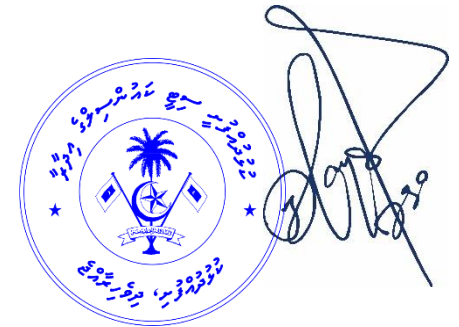
**FLOOD LIGHT POST DETAIL**

SCALE 1:50

SECRETARIAT OF THE KULHUDHUFFUSHI CITY COUNCIL AMEENEE MAGU, KULHUDHUFFUSHI CITY, 02110, REP. OF MALDIVES TEL: 1621 EMAIL: info@kulhudhuffushicity.gov.mv	<b>SHEET TITLE:</b> HUT-1 DRAWINGS	<b>PROJECT:</b> BOAZIYAARAIY BEACH DEVELOPMENT	<b>DRAWN BY:</b> ADAM MOHAMED  <b>CHECKED BY:</b> IMRAN AHMED	<b>DATE:</b> 26 OCTOBER 2024  <b>SCALE:</b> AS GIVEN	<b>PAGE NO:</b>  <b>56</b>
---	---------------------------------------	---	---	--	----------------------------------



**WATER SLIDE**  
SCALE 1:75



<p>SECRETARIAT OF THE KULHUDHUFFUSHI CITY COUNCIL AMEENEE MAGU, KULHUDHUFFUSHI CITY, 02110, REP. OF MALDIVES TEL: 1621 EMAIL: info@kulhudhuffushicity.gov.mv</p>	<p><b>SHEET TITLE:</b> GROYNE DRAWINGS</p>	<p><b>PROJECT:</b> BOAZIYAARAIY BEACH DEVELOPMENT</p>	<p><b>DRAWN BY:</b> ADAM MOHAMED</p> <p><b>CHECKED BY:</b> IMRAN AHMED</p>	<p><b>DATE:</b> 26 OCTOBER 2024</p> <p><b>SCALE:</b> AS GIVEN</p>	<p><b>PAGE NO:</b> <b>57</b></p>
--	--	---	--	---	--------------------------------------